

## Abridged Paper

## Original Research Paper

**Assessing the Effectiveness of Urban Environmental Management in Enhancing Quality-of-Life Security and Livability: Phase One of Sahand New City\***Mahdi PourAkbar<sup>1</sup>, Rasool Darskhan<sup>2\*\*</sup>, Akbar Abdollahzadeh Taraf<sup>3</sup>

1. Department of Urban Planning, Ta, C. Islamic Azad University of Tabriz, Iran.

2. Department of Urban Planning, Ta, C. Islamic Azad University of Tabriz, Iran.

3. Department of Urban Planning, Ta, C. Islamic Azad University of Tabriz, Iran.

## Highlights

- Livability plays a key mediating role between urban environmental management and quality of life.
- Urban design is the mechanism for translating environmental policies into the lived experience of citizens.
- The structural research model provides a practical framework for evaluating the effectiveness of environmental management in new cities.

## Abstract

In recent decades, the intensification of environmental challenges in Iran's new towns has underscored the necessity of assessing the efficiency of urban environmental management in connection with improving quality of life and urban livability. Despite possessing basic infrastructures, Sahand New Town faces several challenges in residents' lived experiences, particularly regarding the quality of urban spaces, environmental comfort, and overall livability. Accordingly, the present study was conducted using a quantitative approach and a descriptive-analytical method, with data collected through a field survey. Data analysis using advanced statistical techniques and structural equation modeling revealed that urban environmental management plays a significant role in enhancing livability, and livability serves as a key determinant in improving urban quality of life. However, the findings indicated that environmental management does not exert a considerable direct effect on quality of life; rather, it influences residents' perceptions of urban living conditions indirectly—especially through strengthening livability. This pattern suggests that effective environmental governance, environmentally compatible urban transportation, efficient water and wastewater systems, and improved green space quality are among the most influential factors that can transform residents' lived experiences. Therefore, it can be concluded that the effectiveness of managerial interventions increases when urban design enables citizens to experience urban spaces in a safe, comfortable, and human-centered manner, thereby facilitating pathways for enhancing quality of life through improved livability.

## Article Info

Received	23/05/2025
Revised	06/07/2025
Accepted	26/07/2025
Available Online	20/01/2026

## Keywords

Urban Environmental Management  
Livability  
Quality of Life  
Urban Design  
Sahand New City.

© [2026] by the author(s).

## Citation of the article

PourAkbar, M., Darskhan, R., & Abdollahzadeh Taraf, A. (2026). Assessing the Effectiveness of Urban Environmental Management in Enhancing Quality-of-Life Security and Livability: Phase One of Sahand New City. *Iranian Urban design studies*, 2(2), 103-130.

\* This article is extracted from the PhD dissertation of Mahdi PourAkbar entitled "Identification and Analysis of Urban Livability Components for Enhancing Quality of Life in Cities (Case Study: Phase One of Sahand New City)", conducted under the supervision of Dr. Rasool Darskhan and the advisory of Dr. Akbar Abdollahzadeh Taraf at the Islamic Azad University, Tabriz Branch.

\*\* Author Corresponding: Email: [rdarskhan@iaut.ac.ir](mailto:rdarskhan@iaut.ac.ir)

**Introduction:** Despite the growing body of literature on quality of life, livability, and urban environmental management, a significant gap remains in understanding the mechanisms through which urban environmental management influences residents' lived experience. Most previous studies have either assessed quality of life primarily through physical and infrastructural indicators or examined livability in a fragmented and non-systematic manner. As a result, the interaction between urban environmental management, livability, and quality of life has rarely been analyzed within an integrated causal framework. Moreover, a considerable number of existing studies overlook the mediating role of livability in the relationship between environmental management and quality of life, focusing instead on the direct performance of urban management systems. This limitation has led to an incomplete understanding of how managerial interventions—such as improvements in urban spaces, environmental comfort, infrastructure systems, and environmental governance—translate into enhanced quality of life for urban residents. Another major shortcoming in the literature is the lack of empirically grounded analytical models. Many studies fail to simultaneously test managerial, perceptual, and experiential constructs within a unified structural model, leaving the relationships among urban environmental management, livability, and quality of life insufficiently explored. To address these gaps, the present study adopts an integrative approach in which urban environmental management is not treated as an isolated construct but is analyzed in relation to livability and its ultimate impact on quality of life. Livability is conceptualized as a mediating mechanism that reveals both the direct and indirect pathways through which environmental management affects residents' perceptions and experiences. The new town of Sahand was selected as the case study in order to empirically test this framework in a real and observable context and to capture these relationships at the scale of lived experience. Accordingly, the main objective of this research is to assess the effectiveness of urban environmental management in enhancing livability and to explain the role of urban design in improving quality of life in Phase One of the new town of Sahand. The central research question examines through which pathways, and with what mediating role of urban design, urban environmental management influences livability and citizens' quality of life. Based on this framework, four hypotheses are proposed concerning the positive effects of environmental management on livability, the influence of livability on quality of life, the moderating role of urban design, and the indirect impact of environmental management on quality of life through livability and urban design.

**Materials and Methods:** This study is applied in terms of purpose and descriptive–analytical in nature, employing a quantitative approach based on Structural Equation Modeling (SEM). The statistical population consisted of all residents of Phase One of the new town of Sahand. Based on a population of 182,547, the sample size was determined as 383 respondents using Cochran's formula. Cluster random sampling was applied to ensure adequate representation of different neighborhoods. Data were collected using a researcher-designed questionnaire developed based on theoretical foundations and key conceptual components of the study. Content validity was confirmed through expert judgment, and reliability was assessed using Cronbach's alpha, with all constructs exceeding the acceptable threshold of 0.70. The Kaiser–Meyer–Olkin (KMO) measure of sampling adequacy was 0.91, and Bartlett's test of sphericity was significant at a level below 0.001, indicating the suitability of the data for factor analysis. In the first stage, Exploratory Factor Analysis (EFA) was conducted. Based on the results, 7 items were removed from the initial set of 54 items, resulting in a final questionnaire consisting of 47 items. The criteria for item removal included: factor loadings below 0.50; cross-loadings on multiple factors; weakening of convergent or discriminant validity if retained; and conceptual inconsistency with the intended construct. These deletions were performed to improve construct accuracy and stabilize the factor structure. Subsequently, Confirmatory Factor Analysis (CFA) was applied to evaluate the consistency between the empirical data and the theoretical measurement model. After confirming the adequacy of the measurement model, the structural model was tested to examine the direct and indirect effects of urban environmental management on livability and quality of life. Path coefficients and coefficients of determination ( $R^2$ ) were calculated to assess the explanatory power of each variable within the proposed research framework.

**Findings:** The findings of the structural equation model demonstrate that urban design plays a pivotal mediating role between urban environmental management and livability, while the ultimate impact on urban quality of life is transmitted primarily through indirect pathways. The standardized results indicate that neither urban environmental management nor urban design has a statistically significant direct effect



on quality of life. In contrast, the indirect pathway through urban design and livability is both significant and substantial, with a standardized coefficient of 0.33 and a 95% confidence interval ranging from 0.23 to 0.45. Moreover, the coefficient of determination for quality of life reaches 0.61, reflecting the strong explanatory capacity of the proposed model.

At first glance, the absence of a direct effect from environmental management on quality of life may appear counterintuitive. However, this result should not be interpreted as a methodological limitation or model weakness. Rather, it reveals a structural shortcoming in the current mode of urban governance in the new town of Sahand. Environmental management policies in this context appear to remain largely technical, sectoral, and infrastructure-oriented, without being translated into spatial qualities that are perceptible and meaningful in residents' everyday experiences. Consequently, these policies fail to generate observable improvements in perceived well-being and urban satisfaction.

The dominance of the indirect pathway—environmental management → urban design → livability → quality of life—clearly indicates that managerial interventions become effective only when they are operationalized through urban design. Urban design functions here as the critical interface through which environmental policies are transformed into lived spatial conditions, influencing accessibility, safety, environmental comfort, and the usability of public spaces. Without this translation, environmental management remains abstract and largely invisible to citizens, resulting in what may be described as “non-experienced governance.”

This interpretation is reinforced by the descriptive and measurement results of the study. Weak performance in indicators related to sustainable transportation, noise, and lighting conditions explains the limited improvement in spatial experience despite the presence of environmental infrastructure. Statistical tests confirmed the normality of the data and the adequacy of the sample, validating the use of factor analysis and structural equation modeling. Reliability and validity assessments further demonstrated that while governance-related and infrastructural components performed relatively well, experiential dimensions of the urban environment—particularly mobility, environmental comfort, and pedestrian quality—remain underdeveloped.

The results align with contemporary urban studies emphasizing that environmental policies contribute to quality of life only when embedded in human-centered, experience-oriented urban design. International research consistently shows that infrastructure-driven or technocratic approaches to environmental management are insufficient to enhance well-being unless they improve both functional performance and perceptual qualities of urban spaces. In Sahand, however, urban design interventions appear to focus primarily on formal or visual aspects, rather than on everyday usability, environmental justice, and equitable access.

From this perspective, the lack of a direct relationship between environmental management and quality of life should be understood as a critical diagnostic finding. It highlights the weak integration between management frameworks and spatial practice, rather than a failure of environmental policy per se. The findings demonstrate that urban design transcends its physical role and acts as a mediating mechanism that connects governance strategies to residents' lived experiences. Improvements in quality of life are therefore contingent upon the ability of urban design to translate environmental management into accessible public spaces, coherent mobility networks, and comfortable, inclusive urban environments.

**Discussion and Conclusion:** In conclusion, the study confirms that urban quality of life in the new town of Sahand cannot be enhanced through isolated or purely infrastructural interventions. Instead, it emerges from the synergistic interaction between urban environmental management, urban design, and livability. Environmental policies become effective only when articulated through a spatial and experiential “design language” that citizens can perceive, use, and value. Accordingly, future planning and governance in Sahand should prioritize environmentally responsive, spatially grounded urban design and participatory, data-driven environmental management to bridge the gap between policy intentions and lived urban quality.

## Declarations

### Conflict of Interest

The authors declare that there is no conflict of interest related to this research.

### Funding

This research received no specific grant from any public, commercial, or not-for-profit funding agency.

### Informed Consent

The authors confirm that informed consent was obtained from all participants involved in this research prior to data collection.

### Authors' Contributions

Conceptualization and study design were carried out by Mehdi Pourakbar and Rasoul Darskhan. Data collection was conducted by Mehdi Pourakbar. Data analysis was performed by Mehdi Pourakbar, Rasoul Darskhan, and Akbar Abdollahzadeh Tarf. The initial draft of the manuscript was written by Mehdi Pourakbar and Rasoul Darskhan. Manuscript revision and editing were undertaken by Mehdi Pourakbar. All authors reviewed and approved the final version of the manuscript.

### Acknowledgments:

The authors would like to express their sincere gratitude to all individuals who contributed in any way to the completion of this research.

## References

- Akbari, M., Boostan-Ahmadi, V., Talebi-Anbouhi, M., & Zorgham-Fard, M. (1403). Analysis of factors affecting the livability of informal settlements: A case study of Hakim Nezami neighborhood, Urmia. *Land Geo-Engineering*, 8(2), 33–48.
- Alavi, P., Saboooti, H., Davarnia, F., Gholizadeh, F., & Esfandiari, A. (1402). Criteria influencing the improvement of environmental quality in inefficient urban fabrics based on residents' preferences: Case study of Beysim neighborhood, Zanjan. *Human Geography Research*, 55(3), 97–114.
- Alnsour, M.A., & Alnsour, E. (2025). Application of Structural Equation Modelling (SEM) and Fuzzy Analytic Hierarchy Process (FAHP) Based Approach Toward a Hybrid Urban Sustainability Assessment System (USAS) of Jordan. *Sustainable Cities and Society*, 65, e45186 <https://doi.org/10.1016/j.scs.2025.106590>.
- Geary, R. S., Thompson, D., Mizen, A., Akbari, A., Garrett, J. K., Rowney, F. M., Watkins, A., Lyons, R. A., Stratton, G., Lovell, R., Nieuwenhuijsen, M., Parker, S. C., Song, J., Tsimpida, D., White, J., White, M. P., Williams, S., Wheeler, B. W., Fry, R., & Rodgers, S. E. (2023). Ambient greenness, access to local green spaces, and subsequent mental health: A 10-year longitudinal dynamic panel study of 2.3 million adults in Wales. *The Lancet Planetary Health*, 7(10), e809–e818. [https://doi.org/10.1016/S2542-5196\(23\)00212](https://doi.org/10.1016/S2542-5196(23)00212)
- Asiabani-Pour, E., Panahi, A., & Ahmadzadeh, H. (1399). The impact of urban livability factors on the current situation using structural equation modeling (PLS approach): A study of the ten districts of Tabriz metropolis. *Geography and Planning*, 24(73), 23–46.
- Azarbarzin, N., & Hosseini Siah-Goli, M. (1403). Modeling urban livability indicators with an emphasis on sustainable urban transportation: The case study of Ahvaz. *Urban Planning Geography Research*, 12(2), 25–43.
- Baluch-Zehi, L., Amin, M., & Izadi, H. (1403). Structural analysis of factors and drivers affecting the livability of the border city of Saravan using cross-impact analysis. *Urban-Regional Geography and Spatial Planning*, (50), 97–122.
- Barboza, E. P., Cirach, M., Khomenko, S., lungman, T., Mueller, N., Barrera-Gómez, J., Rojas-Rueda, D., Kondo, M., & Nieuwenhuijsen, M. (2021). Green space and mortality in European cities: A health impact assessment study. *The Lancet Planetary Health*, 5(10), e718–e730. [https://doi.org/10.1016/S2542-5196\(21\)00229-1](https://doi.org/10.1016/S2542-5196(21)00229-1)
- Chang, S., & Smith, M. K. (2023). Residents' Quality of Life in Smart Cities: A Systematic Literature Review. *Land*, 12(4), 876. <https://doi.org/10.3390/land12040876>.
- Chen, Y.-T., & Yang, A. Y.-Y. (2024). Evaluating the Influence of Sustainable Urban Disaster Prevention Planning



- Satisfaction on Residents' Living Willingness: A Structural Equation Modeling Approach in Kaohsiung City. *Sustainability*, 16(13), 5624. <https://doi.org/10.3390/su16135624>.
- Cramer-Greenbaum, S. (2020). Who can afford a 'livable' place? The part of living global rankings leave out. *International Journal of Urban Sustainable Development*, 13(1), 70–82. <https://doi.org/10.1080/19463138.2020.1812076>.
  - Dalvand, H., & Heydari, R. (1400). Structural modeling of the effect of livability on security and quality of life based on public survey: Case study of Doroud city. *Sustainable City*, 4(1), 71–86.
  - Deng, M., Zhu, S., He, B., & Zhang, H. (2024), Evaluation of urban ecological livability and obstacle factor diagnosis from a synergistic perspective: A case study of Zhangjiajie City, China. *PLOS ONE*, 19(11), e0313267. <https://doi.org/10.1371/journal.pone.0313267>
  - Farajollahi, A., Pourmohammadi, M.-R., Heydari-Chiane, R., & Mokhtari, D. (1401). Comparative analysis of urban livability with emphasis on physical indicators in the ten districts of Tabriz metropolis. *Geography and Planning*, 26(81), 173–189.
  - Fouladi, A., Sherafati Moghaddam, E., & Gholami, Y. (2025). Assessment of livability in urban fabric: A comparative analysis. *International Journal of Human Capital in Urban Management*, 10(2), 301–316. <https://doi.org/10.22034/IJHCUM.2025.02.07>.
  - Harani, A. R., Riskiyanto, R., Kusuma, A. M., & Harsritanto, B. I. R. (2025). The livability of urban environment based on the spatial arrangement of local practice in limited space. *City, Territory and Architecture*, 12(1), Article 40. <https://doi.org/10.1186/s40410-025-00290-8>.
  - Heydari Soureshjani, R., Vafaei, A., & Dolatiyaran, K. (1401). Assessment and evaluation of socio-cultural regeneration projects of public spaces to improve environmental quality and neighborhood identity: Case study of historical pedestrian streets of Kashan. *Urban Planning Geography Research*, 10(3), 143–170.
  - Jenewein, O., Hummel, M. A., Bezboruah, K., & Liu, Y. (2025). Towards collaborative smart cities: A participatory framework to co-develop an environmental monitoring dashboard along the Texas Coast. *International Journal of Urban Sciences*, 29(sup1), 92–114. <https://doi.org/10.1080/12265934.2024.2438201>
  - Jodder, P. K., Hossain, M. Z., & Thill, J.-C. (2025). Urban Livability in a Rapidly Urbanizing Mid-Size City: Lessons for Planning in the Global South. *Sustainability*, 17(4), 1504. <https://doi.org/10.3390/su17041504>.
  - Zhai, Y., Ma, P., & Li, M. (2025). Sustainable Development and Environmental Governance for Urban Vending Zones: A Case Study in the Waliu Community, China. *Sustainability*, 17(9), 4002. <https://doi.org/10.3390/su17094002>.
  - Kumar, P., Brander, L., Kumar, M., & Cuijpers, P. (2023). Planetary Health and Mental Health Nexus: Benefit of Environmental Management. *Annals of global health*, 89(1), 49. <https://doi.org/10.5334/aogh.4079>.
  - Labriet, M., Caldés, N., & Izquierdo, L. (2009). A review on urban air quality, global climate change and CDM issues in the transportation sector. *International Journal of Global Warming*, 1(1/2/3). <https://doi.org/10.1504/IJGW.2009.027086>.
  - Luo, J., & Han, Z. (2025). Have a place to live? - study on the influence of the living environment on the subjective well-being of older adults. *BMC psychology*, 13(1), 694. <https://doi.org/10.1186/s40359-025-03007-1>.
  - Mahmoudzadeh H, Abedini A, Aram F, Mosavi A. (2024). Evaluating urban environmental quality using multi-criteria decision making (CRITIC). *Heliyon*.;10(3): e24921. <https://doi.org/10.1016/j.heliyon.2024.e24921>.
  - Mouratidis K. (2021), Urban planning and quality of life: A review of pathways linking the built environment to subjective well-being. *Cities*.;115:103229. <https://doi.org/10.1016/j.cities.2021.103229>.
  - Mahdi, A. (1404). Explaining the effects of physical, visual, and environmental indicators on urban health in Qom city. *Urban Studies Quarterly*, 14(54), 77–92.
  - Mahmoudzadeh, H., Samadi, M., & Paydar, M. (1402). Application of artificial neural network and linear regression in evaluating air pollution in the metropolis of Tabriz. *Geography and Planning*, 27(86), 167–184.
  - Münzel, T., Molitor, M., Kuntic, M., Hahad, O., Rösli, M., Engelmann, N., Basner, M., Daiber, A., & Sørensen, M. (2024). Transportation Noise Pollution and Cardiovascular Health. *Circulation research*, 134(9), 1113–1135. <https://doi.org/10.1161/CIRCRESAHA.123.323584>.
  - Murawska, A., Sieg, P., & Stereńczak, S. (2025). Environmental Safety and Self-Perceived Quality of Life and Health: The Example of the European Union. *Sustainability*, 17(18), 8412. <https://doi.org/10.3390/su17188412>.

- Nicolás-Martínez, C., Pérez-Cárceles, M.C., Riquelme-Perea, P.J. (2024), Are Cities Decisive for Life Satisfaction? A Structural Equation Model for the European Population. *Soc Indic Res* 174, 1025–1051. <https://doi.org/10.1007/s11205-024-03423-7>
- Orlandi, S., Longo, D., & Turillazzi, B. (2025). Integrating Security-by-Design into Sustainable Urban Planning for safer, more accessible, and livable public spaces. *Sustainability*, 17(16), 7186. <https://doi.org/10.3390/su17167186>.
- Peyneshki, I. P., Bègue, I., Abela, L., Eisele, A., Grüter, B. E., Hägler, J., Maragkou, T., Martínez, Y., Saemann, A., Strupler, N., Vélez Char, N., Vicedo-Cabrera, A. M., & Sveikata, L. (2025). Impact of climate change on brain health: An interdisciplinary perspective from early-career clinician-scientists. Preprints, 202507.1729.v1. <https://doi.org/10.20944/preprints202507.1729.v1>.
- Öztürk, S., & Genç, Z. P. (2015). The relationship between urban design and urban quality of life: A case study of Kastamonu City–Turkey. *Artvin Çoruh Üniversitesi Orman Fakültesi Dergisi*, 15(2). <https://doi.org/10.17474/acuofd.36085>.
- Schindler, M., & Dionisio, M. R. D. J. (2024). Planning for urban livability: Integrating socio-spatial indicators in city-making. *Journal of Urban Technology*, 31(3). <https://doi.org/10.1080/10630732.2024.2391889>
- Sharghi, Z., Basiri, M., & Faramarzi, M. (1403). Analysis of accessibility to urban public services in the new town of Sahand using network analysis. *Future Cities Outlook Quarterly*, 5(2), 1–14.
- Shen, Y., Xu, X., Ge, Y., Wang, W., Liu, C., Niu, Y., Zhao, Q., Zhao, G., Cai, J., Kan, H., & Zhao, Y. (2025). Environmental noise exposure and cardiovascular diseases in a Shanghai cohort. *Environment international*, 203, 109745. <https://doi.org/10.1016/j.envint.2025.109745>
- Takano, T., Morita, H., Nakamura, S., Hayashi, Y., Togawa, T., Kachi, N., & Kato, H. (2022). Evaluating the quality of life for sustainable urban development (Preprint Version 1). Research Square. <https://doi.org/10.21203/rs.3.rs-2348981/v1>.
- Tate, C., Wang, R., Akaraci, S., Burns, C., Garcia, L., Clarke, M., Hunter, R. (2024). The contribution of urban green and blue spaces to the United Nation’s Sustainable Development Goals: An evidence gap map. *Cities*, 145, 104706. <https://doi.org/10.1016/j.cities.2023.104706>.
- Vidal Yañez, D., Barboza, E. P., Cirach, M., Daher, C., Nieuwenhuijsen, M., & Mueller, N. (2023). An urban green space intervention with benefits for mental health: A health impact assessment of the Barcelona “Eixos Verds” Plan. *Environment International*, 174, 107880. <https://doi.org/10.1016/j.envint.2023.107880>.
- Wesz, J. G. B., Miron, L. I. G., Delsante, I., & Tzortzopoulos, P. (2023). Urban Quality of Life: A Systematic Literature Review. *Urban Science*, 7(2), 56. <https://doi.org/10.3390/urbansci7020056>.
- World Health Organization Regional Office for Europe. (2018). Environmental noise guidelines for the European region. Copenhagen: World Health Organization. <https://doi.org/10.1564/EURO.NOISE.2018>.
- Xian, Z., Nakaya, T., Liu, K., Zhao, B., Zhang, J., Zhang, J., Lin, Y., & Zhang, J. (2024). The effects of neighbourhood green spaces on mental health of disadvantaged groups: a systematic review. *Humanities and Social Sciences Communications*, 11(1), <https://doi.org/10.1057/s41599-024-02970-1>.
- Yu, J., Li, X., Guan, X., & Shen, H. (2024). A remote sensing assessment index for urban ecological livability and its application. *Geo-spatial Information Science*, 27(2), 289–310. <https://doi.org/10.1080/10095020.2022.2072775>.
- Zhalehdoost, A., & Taleai, M. (2025). Enhancing urban quality of life evaluation using spatial multi-criteria analysis. *Scientific Reports*, 15, 22048. <https://doi.org/10.1038/s41598-025-05468-1>



پژوهشگاه علوم انسانی و مطالعات فرهنگی

رتال جامع علوم انسانی

**Note for Readers:**

**This paper contains an identical English abstract in two sections:**

Abridged Paper: To provide an overview for international readers.

Persian Section: To meet the standardized structure of Persian academic publications.

This repetition is intentional to ensure alignment with academic standards and facilitate readability for both audiences. Readers are encouraged to review the full paper for comprehensive details.

یادداشت برای خوانندگان:

این مقاله شامل یک چکیده انگلیسی در دو بخش است:

Abridged Paper: برای ارائه یک دید کلی به خوانندگان بین‌المللی.

بخش فارسی: به منظور رعایت استانداردهای ساختار مقالات علمی فارسی.

تکرار این چکیده، با هدف انطباق با استانداردهای علمی و تسهیل مطالعه برای هر دو گروه از مخاطبان طراحی شده است. خوانندگان می‌توانند برای دریافت جزئیات کامل، به متن اصلی مقاله مراجعه کنند.

© [2026] by the author(s). This article is licensed under a Creative Commons Attribution 4.0 International (CC BY 4.0). The authors retain copyright, and this work may be shared and redistributed with proper attribution.

License link: <https://creativecommons.org/licenses/by/4.0/>



© [۲۰۲۶] نویسنده(گان). این مقاله تحت مجوز Creative Commons Attribution 4.0 International (CC BY 4.0) منتشر شده است. نویسندگان (گان) مالک حقوق

مادی و معنوی اثر خود هستند، و این مقاله می‌تواند با ذکر منبع مورد استفاده، بازنشر و توزیع شود.

لینک مجوز: <https://creativecommons.org/licenses/by/4.0/>



## سنجش کارایی مدیریت محیط‌زیست شهری در ارتقای کیفیت زندگی و زیست‌پذیری با رویکرد طراحی شهری؛ فاز یک شهر جدید سهند\*

مهدی پوراکبر<sup>۱</sup>، رسول درسرخوان<sup>۲\*</sup>، اکبر عبدالله زاده طرف<sup>۳</sup>

۱. گروه شهرسازی، واحد تبریز، دانشگاه آزاد اسلامی تبریز، ایران.

۲. گروه شهرسازی، واحد تبریز، دانشگاه آزاد اسلامی تبریز، ایران.

۳. گروه شهرسازی، واحد تبریز، دانشگاه آزاد اسلامی تبریز، ایران.

### نکات شاخص

- زیست‌پذیری، نقش میانجی اصلی میان مدیریت محیط زیست شهری و کیفیت زندگی دارد.
- طراحی شهری، سازوکار تبدیل سیاست‌های محیطی به تجربه زیسته شهروندان است.
- مدل ساختاری پژوهش، چهارچوبی کاربردی برای ارزیابی کارایی مدیریت محیطی در شهرهای جدید ارائه می‌دهد.

### مشخصات مقاله

تاریخ ارسال	۱۴۰۴/۰۳/۰۲
تاریخ بازنگری	۱۴۰۴/۰۴/۱۵
تاریخ پذیرش	۱۴۰۴/۰۵/۰۴
تاریخ انتشار آنلاین	۱۴۰۴/۱۰/۳۰

### چکیده

در دهه‌های اخیر، تشدید مسائل زیست‌محیطی در شهرهای جدید کشور، ضرورت ارزیابی کارایی مدیریت محیط‌زیست شهری را در پیوند با ارتقای کیفیت زندگی و زیست‌پذیری دوجندان کرده است. شهر جدید سهند نیز با وجود برخورداری از زیرساخت‌های پایه، در تجربه زیسته ساکنان با چالش‌هایی در زمینه کیفیت فضاهای شهری، آسایش محیطی و قابلیت زیست‌پذیری روبه‌روست. براین اساس، پژوهش حاضر با رویکرد کمی و روش توصیفی تحلیلی انجام گرفت و داده‌ها از طریق پیمایش میدانی گردآوری شد. تحلیل داده‌ها با بهره‌گیری از روش‌های آماری پیشرفته و مدل‌سازی معادلات ساختاری نشان داد که مدیریت محیط‌زیست شهری نقش مهمی در ارتقای زیست‌پذیری دارد و زیست‌پذیری نیز به‌عنوان یکی از عوامل بنیادین، بر بهبود کیفیت زندگی شهری اثرگذار است. باین حال، مشخص شد که مدیریت محیط‌زیست، تأثیر مستقیم قابل توجهی بر کیفیت زندگی ندارد و تنها از مسیرهای غیرمستقیم، به‌ویژه از طریق تقویت زیست‌پذیری، می‌تواند موجب بهبود ادراک ساکنان از شرایط زندگی شهری شود. تفسیر این الگو بیانگر آن است که حکمرانی محیطی کارآمد، حمل‌ونقل شهری سازگار با محیط، سامانه‌های کارآمد آب و فاضلاب و بهبود کیفیت فضاهای سبز از مهم‌ترین زمینه‌هایی هستند که می‌توانند تجربه زیستی ساکنان را دگرگون سازند. بنابراین می‌توان نتیجه گرفت که اثربخشی مداخلات مدیریتی هنگامی افزایش می‌یابد که طراحی شهری بتواند امکان تجربه‌ای ایمن، آسوده و انسانی از فضا را برای شهروندان فراهم آورد و بدین ترتیب مسیرهای ارتقای کیفیت زندگی از طریق تقویت زیست‌پذیری هموار شود.

### واژگان کلیدی

مدیریت محیط‌زیست شهری  
زیست‌پذیری  
کیفیت زندگی  
طراحی شهری  
شهر جدید سهند.





## Original Research Paper

**Assessing the Effectiveness of Urban Environmental Management in Enhancing Quality-of-Life Security and Livability: Phase One of Sahand New City\***Mahdi PourAkbar<sup>1</sup>, Rasool Darskhan<sup>2\*\*</sup>, Akbar Abdollahzadeh Taraf<sup>3</sup>

1. Department of Urban Planning, Ta, C. Islamic Azad University of Tabriz, Iran.

2. Department of Urban Planning, Ta, C. Islamic Azad University of Tabriz, Iran.

3. Department of Urban Planning, Ta, C. Islamic Azad University of Tabriz, Iran.

## Highlights

- Livability plays a key mediating role between urban environmental management and quality of life.
- Urban design is the mechanism for translating environmental policies into the lived experience of citizens.
- The structural research model provides a practical framework for evaluating the effectiveness of environmental management in new cities.

## Abstract

In recent decades, the intensification of environmental challenges in Iran's new towns has underscored the necessity of assessing the efficiency of urban environmental management in connection with improving quality of life and urban livability. Despite possessing basic infrastructures, Sahand New Town faces several challenges in residents' lived experiences, particularly regarding the quality of urban spaces, environmental comfort, and overall livability. Accordingly, the present study was conducted using a quantitative approach and a descriptive-analytical method, with data collected through a field survey. Data analysis using advanced statistical techniques and structural equation modeling revealed that urban environmental management plays a significant role in enhancing livability, and livability serves as a key determinant in improving urban quality of life. However, the findings indicated that environmental management does not exert a considerable direct effect on quality of life; rather, it influences residents' perceptions of urban living conditions indirectly—especially through strengthening livability. This pattern suggests that effective environmental governance, environmentally compatible urban transportation, efficient water and wastewater systems, and improved green space quality are among the most influential factors that can transform residents' lived experiences. Therefore, it can be concluded that the effectiveness of managerial interventions increases when urban design enables citizens to experience urban spaces in a safe, comfortable, and human-centered manner, thereby facilitating pathways for enhancing quality of life through improved livability.

## Article Info

Received	23/05/2025
Revised	06/07/2025
Accepted	26/07/2025
Available Online	20/01/2026

## Keywords

Urban Environmental Management  
Livability  
Quality of Life  
Urban Design  
Sahand New City.

© [2026] by the author(s).

## Citation of the article

PourAkbar, M., Darskhan, R., & Abdollahzadeh Taraf, A. (2026). Assessing the Effectiveness of Urban Environmental Management in Enhancing Quality-of-Life Security and Livability: Phase One of Sahand New City. *Iranian Urban design studies*, 2(2), 103-130.

\* This article is extracted from the PhD dissertation of Mahdi PourAkbar entitled "Identification and Analysis of Urban Livability Components for Enhancing Quality of Life in Cities (Case Study: Phase One of Sahand New City)", conducted under the supervision of Dr. Rasool Darskhan and the advisory of Dr. Akbar Abdollahzadeh Taraf at the Islamic Azad University, Tabriz Branch.

\*\* Author Corresponding: Email: [rdarskhan@iaut.ac.ir](mailto:rdarskhan@iaut.ac.ir)



## مقدمه

رشد فزاینده جمعیت، تغییرات اقلیمی و الگوهای ناپایدار مصرف در دهه‌های اخیر، ساختارهای محیطی شهرها را با بحرانی چندلایه مواجه کرده است. این سه‌گانه فشار در قالب آلودگی هوا و آب، افزایش پسماند، کاهش فضای سبز و افت کیفیت زیست‌محیطی، نظم اکولوژیکی شهرها را برهم زده و بنیان‌های آرامش، رضایت و کیفیت زندگی شهروندان را تحت‌تأثیر قرار داده است (زینالی عظیم و همکاران، ۱۴۰۴). چنین وضعیتی در شهرهای جدید ایران که با هدف بهبود کیفیت زندگی و کاهش فشار کلان‌شهرها ایجاد شده‌اند، با شدت بیشتری تجربه می‌شود. فشردگی کالبد، ناهماهنگی میان طراحی شهری و نیازهای انسانی و ضعف مدیریت محیطی سبب شده است شاخص‌های زیست‌پذیری در این شهرها پایین‌تر از سطح مطلوب قرار گیرد (Deng et al., 2024; Schindler & Dionisio, 2024; Wesz et al., 2023). درک نوین از زیست‌پذیری نشان می‌دهد این مفهوم تنها به ابعاد کالبدی محدود نیست و لایه‌های اجتماعی، ادراکی و مدیریتی را نیز در بر می‌گیرد. زیست‌پذیری زمانی تحقق می‌یابد که شهر بتواند ضمن حفظ پایداری، شرایطی برای دسترسی عادلانه، تجربه‌پذیری مطلوب فضاهای عمومی، خوانایی محیط و بهبود کیفیت زندگی فراهم سازد. کیفیت محیط شهری نیز در رویکردهای معاصر با ادراک امنیت، تعلق مکانی و کیفیت تجربه شهروندان از فضا ارتباط یافته است (Münzel et al., 2024; Geary et al., 2023; Hunter et al., 2023). در این میان، طراحی شهری به‌عنوان بستری میان‌رشته‌ای نقش اساسی در تبدیل سیاست‌های مدیریت محیط‌زیست شهری به تجربه زیسته شهروندان دارد. ارتقای کیفیت بصری، سازمان‌دهی فضاهای باز، توزیع متعادل فضای سبز و بهبود خوانایی محیط می‌تواند زیست‌پذیری و کیفیت تجربه شهروندان از فضا را تقویت کند (Orlandi et al., 2025). پژوهش‌های اخیر نیز بر پیوند میان طراحی شهری و مدیریت محیط‌زیست شهری تأکید دارند و بیان می‌کنند که پایداری و کیفیت زندگی زمانی محقق می‌شود که این دو حوزه در رابطه‌ای هم‌افزا عمل کنند (Mahmoudzadeh et al., 2024; Gallardo et al., 2025; Lee, Yoo & Moraska, 2025). در شهرهای جدید ایران، از جمله شهر جدید سهند، این پیوند هنوز به‌طور کامل برقرار نشده است. فاز یک سهند، با وجود برخورداری از زیرساخت‌های محیطی، در زمینه کیفیت پیاده‌راه‌ها، روشنایی معابر، توزیع فضای سبز و کیفیت فضاهای عمومی با نارسایی‌هایی روبه‌روست و این وضعیت بر کیفیت زندگی و تجربه روزمره ساکنان تأثیر گذاشته است.

با وجود گسترش ادبیات مرتبط با کیفیت زندگی، زیست‌پذیری و مدیریت محیط‌زیست شهری، همچنان شکاف معناداری در فهم سازوکارهای اثرگذاری مدیریت محیط‌زیست بر تجربه زیستی ساکنان وجود دارد. بیشتر پژوهش‌های پیشین یا به ارزیابی کیفیت زندگی صرفاً از منظر شاخص‌های کالبدی پرداخته‌اند یا نقش زیست‌پذیری را به‌صورت پراکنده و غیرسیستمی بررسی کرده‌اند؛ درحالی‌که تعامل میان مدیریت محیط‌زیست، زیست‌پذیری و کیفیت زندگی کمتر در قالب مدلی یکپارچه و علی‌پیمادی تحلیل شده است. علاوه‌براین، بخش قابل‌توجهی از مطالعات موجود، نقش میانجی‌گری زیست‌پذیری را در مسیر اثرگذاری مدیریت محیط‌زیست نادیده گرفته‌اند و بیشتر بر سنجش مستقیم عملکرد مدیریت شهری تمرکز داشته‌اند. این وضعیت موجب شده است که در ادبیات علمی، تصویر روشنی از اینکه چگونه مداخلات مدیریتی می‌توانند از طریق ارتقای کیفیت فضاهای شهری، آسایش محیطی، سامانه‌های زیرساختی و عناصر حکمرانی محیطی بر کیفیت زندگی ساکنان اثرگذار شوند، ارائه نشود. شکاف دیگر مربوط به ضعف مدل‌های تحلیلی مبتنی بر داده‌های تجربی است؛ به‌گونه‌ای که بسیاری از پژوهش‌ها فاقد آزمون هم‌زمان سازه‌های مدیریتی، ادراکی و احساسی در قالب یک مدل ساختاری بوده‌اند و رابطه میان سه سازه اصلی مدیریت محیط‌زیست، زیست‌پذیری و کیفیت زندگی به‌صورت دقیق بررسی نشده است. پژوهش حاضر با هدف پر کردن این شکاف علمی، رویکردی تلفیقی اتخاذ کرده است که در آن مدیریت محیط‌زیست شهری نه به‌عنوان سازه مستقل، بلکه در پیوند با تجربه زیست‌پذیری و اثر نهایی آن بر کیفیت زندگی تحلیل می‌شود. در این مطالعه، زیست‌پذیری به‌عنوان حلقه واسط میان مدیریت و کیفیت زندگی، مدل‌سازی شده تا سازوکارهای تأثیرگذاری مستقیم و غیرمستقیم آشکار شود. برای تحلیل این شکاف نظری، شهر جدید سهند به‌عنوان نمونه موردی انتخاب شد تا این چهارچوب تحلیلی در بستری واقعی و قابل‌بررسی آزمون شود و امکان مشاهده مسیرهای اثرگذاری در مقیاس تجربه زیسته فراهم شود. بدین ترتیب، پژوهش حاضر نه تنها کمبودهای مفهومی موجود را برطرف می‌کند، بلکه با ارائه یک مدل تجربی معتبر، درک عمیق‌تری از روابط میان مدیریت محیط‌زیست، زیست‌پذیری و کیفیت زندگی در شهرهای جدید ایران ارائه می‌دهد. بر همین اساس، هدف پژوهش حاضر سنجش کارایی مدیریت محیط‌زیست شهری در ارتقای زیست‌پذیری و تبیین نقش طراحی شهری در بهبود کیفیت زندگی در فاز یک شهر جدید سهند است. در همین راستا، سؤال اصلی پژوهش به این صورت طرح می‌شود که کارایی مدیریت محیط‌زیست شهری از چه مسیرهایی و با چه نقشی از سوی طراحی شهری بر زیست‌پذیری و کیفیت زندگی شهروندان اثر می‌گذارد. با توجه به ماهیت پرسش، فرضیات پژوهش به این صورت تنظیم شده‌اند: ۱. به‌نظر می‌رسد مدیریت محیط‌زیست شهری تأثیر مثبتی بر زیست‌پذیری داشته باشد؛ ۲. به‌نظر می‌رسد زیست‌پذیری موجب ارتقای کیفیت زندگی شود؛ ۳. به‌نظر می‌رسد طراحی شهری رابطه میان مدیریت محیط‌زیست شهری و کیفیت زندگی را تقویت کند؛ ۴. به‌نظر می‌رسد مدیریت محیط‌زیست شهری از مسیر زیست‌پذیری و طراحی شهری به‌طور غیرمستقیم موجب بهبود کیفیت زندگی شود.



## مبانی نظری و پیشینه پژوهش

### مدیریت محیط زیست شهری

مدیریت محیط زیست شهری طی دو دهه اخیر به یکی از ارکان کلیدی حکمرانی شهری تبدیل شده و نقشی بنیادین در تحقق توسعه پایدار ایفا می کند (Zhai et al., 2025). این مفهوم بیانگر رویکردی نظام مند و پیش نگر برای کنترل اثرات فعالیت های انسانی و هدایت فرایندهای کالبدی، اجتماعی و زیست محیطی شهر است تا کیفیت محیط زندگی ارتقا یابد و آسیب به منابع طبیعی به حداقل برسد (Takano et al., 2023). در چهارچوب های نوین، مدیریت محیط زیست شهری تنها به اقدام های مقطعی محدود نمی شود؛ بلکه مجموعه ای از سیاست های پیشگیرانه، پایش مستمر، مشارکت اجتماعی و بهره گیری از فناوری های نوین برای رصد داده های محیطی را در بر می گیرد (Vidal Yañez, 2023). این رویکرد با نگاهی یکپارچه، حوزه هایی چون هوا، آب، پسماند، انرژی، سروصدا، فضای سبز و حمل و نقل را پوشش می دهد و در پی ایجاد تعادل میان رشد کالبدی، ظرفیت زیست محیطی و آسایش انسانی است (Peyneshki et al., 2025). در میان ابعاد مختلف، مدیریت کیفیت هوا از جایگاه ویژه ای برخوردار است. آلودگی هوا یکی از مخاطرات جدی سلامت عمومی، با بروز بیماری های قلبی، آسم و کاهش امید به زندگی ارتباط مستقیم دارد (Münzel et al., 2024). شاخص هایی نظیر میانگین غلظت PM2.5 و آلاینده هایی مانند NO<sub>2</sub> و O<sub>3</sub> معیارهای اصلی سنجش عملکرد مدیریتی در این حوزه محسوب می شوند. مطالعات جهانی نشان می دهد که سیاست هایی نظیر کنترل ترافیک، توسعه حمل و نقل پاک، ارتقای استاندارد سوخت و پایش لحظه ای آلاینده ها در بهبود کیفیت هوا مؤثر بوده اند (Kumar et al., 2024).

تجربه شهرهایی مانند کپنهاگ و توکیو نیز ثابت کرده است که ترکیب فناوری های هوشمند با مشارکت اجتماعی، مؤثرترین راهکار برای دستیابی به هوای سالم و ارتقای احساس امنیت زیستی شهروندان است (Yañez et al., 2023). مدیریت پسماند شهری نیز یکی از عوامل کلیدی در بهبود زیست پذیری و کیفیت زندگی است. افزایش تولید زباله در نتیجه رشد مصرف گرایی و تغییر الگوهای سکونت، سیستم های شهری را با چالش های جدی مواجه کرده است (Jodder et al., 2025). امروزه مدیریت پسماند از دفن و سوزاندن صرف فراتر رفته و به سمت الگوهای جامع کاهش در مبدأ، بازیافت، تولید کمپوست و بازیابی انرژی حرکت کرده است (Barboza et al., 2021). ضعف در تفکیک از مبدأ و پایین بودن نرخ بازیافت در شهرهای ایران، مانع اصلی ارتقای کیفیت محیطی و رضایت شهروندان است و این امر بر ادراک امنیت سکونتی نیز تأثیرگذار است (محمودزاده و همکاران، ۱۴۰۲). مدیریت منابع آب و فاضلاب از دیگر مؤلفه های حیاتی امنیت و کیفیت زندگی به شمار می رود. دسترسی پایدار به آب سالم، کاهش هدررفت شبکه و پوشش کامل تصفیه فاضلاب، شاخص هایی هستند که نه تنها سلامت عمومی، بلکه احساس امنیت زیستی را تعیین می کنند (Yu et al., 2024). تجربه کشورهای پیشرفته نشان می دهد که استفاده از فناوری های پایش هوشمند، بازچرخانی آب و کاهش تلفات شبکه می تواند در افزایش تاب آوری محیطی مؤثر باشد (Chen & Yang, 2024). فضای سبز و تنوع زیستی شهری نیز از عوامل تعیین کننده زیست پذیری و رفاه ذهنی به شمار می آیند. فضاهای سبز علاوه بر نقش اکولوژیکی، محیطی آرامش بخش برای تعامل اجتماعی، کاهش استرس و افزایش احساس امنیت روانی فراهم می آورند (Geary et al., 2023; Tate et al., 2024). پژوهش ها نشان داده اند که هر مترمربع افزایش سرانه فضای سبز در مناطق پرتراکم، با کاهش استرس و بهبود سلامت روانی ساکنان مرتبط است (Zhang et al., 2024; Peyneshki et al., 2025).

در حوزه انرژی و اقلیم شهری، شدت مصرف انرژی و جزایر حرارتی اثر مستقیم بر رفاه و آسایش سکونتی دارند (Xian et al., 2024). بهره گیری از انرژی های تجدیدپذیر، توسعه بام های سبز و سایه بان های طبیعی، علاوه بر کاهش مصرف انرژی، به ارتقای کیفیت ادراک شده محیط و احساس امنیت حرارتی شهروندان کمک می کند. از سوی دیگر، آلودگی صوتی و نوری از چالش های نوظهور شهرهای بزرگ است که مستقیماً با سلامت و کیفیت زندگی در ارتباط اند. قرارگیری طولانی مدت در معرض صداهای بالاتر از حد مجاز موجب اختلال خواب، افزایش فشار خون و کاهش تمرکز می شود (Shen et al., 2025). همچنین، نور مصنوعی بیش از حد با برهم زدن ریتم شبانه روزی انسان، سبب خستگی و کاهش احساس امنیت محیطی می شود (WHO, 2018). حمل و نقل پایدار، به ویژه با تأکید بر پیاده روی و دوچرخه سواری، به طور مستقیم بر ارتقای زیست پذیری و کیفیت زندگی مؤثر است (Labriet et al., 2009). شبکه حمل و نقل همگانی ایمن، مسیرهای پیاده پذیر و زمان بندی منظم، علاوه بر کاهش آلودگی، احساس اطمینان و اعتماد شهروندان به فضاهای عمومی را افزایش می دهد (Cramer-Greenbaum, 2021; Mouratidis, 2021). در سطح حکمرانی، مشارکت شهروندان و شفافیت مدیریتی از ارکان اساسی تضمین کیفیت زندگی به شمار می روند. نظام تصمیم گیری مشارکتی، دسترسی آزاد به داده های محیطی و پاسخ گویی نهادهای شهری، اعتماد عمومی و ادراک امنیت اجتماعی را تقویت می کند (Jenewein et al., 2024; Landa-Oregi et al., 2025). تجربه شهرهای هوشمند نشان داده است که استقرار سامانه های گزارش گری مردمی و داده های باز محیطی، به بهبود کارایی مدیریت و ارتقای کیفیت زندگی کمک می کند (Chang & Smith, 2023).

### کیفیت زیست، زیست پذیری و کیفیت زندگی شهری

در نهایت، زیست پذیری شهری مفهومی چندوجهی است که تلفیقی از کیفیت کالبدی، ادراکی و اجتماعی شهر است و احساس امنیت، تعامل،



هویت و رضایت از خدمات را در بر می‌گیرد (Nicolás-Martínez et al., 2024). از دیدگاه نظری، میان «کیفیت زیست یا کیفیت زندگی» و «زیست‌پذیری» تمایز مهمی وجود دارد (Fouladi et al, 2024). زیست‌پذیری بیش از هر چیز به شرایط عینی و محیطی شهر اشاره دارد؛ شامل کیفیت فضاهای عمومی، دسترسی، خدمات، حمل‌ونقل، فضای سبز، آلودگی، آرامش و نظم فضایی. در مقابل، کیفیت زندگی بیشتر به ارزیابی ذهنی و ادراکی شهروندان از این شرایط مربوط است؛ یعنی اینکه افراد تا چه حد از زندگی در شهر خود احساس رضایت، آرامش، امنیت، تعلق و رفاه می‌کنند (Chen & Yang, 2024; Murawska et al., 2025). به بیان دیگر، زیست‌پذیری بستر کالبدی محیطی را فراهم می‌کند و کیفیت زندگی نتیجه و تبلور برداشت و تجربه ساکنان از این بستر است. نظریه‌های امنیت و کیفیت زندگی شهری نیز نشان می‌دهند که رضایت شهروندان حاصل تعامل میان شاخص‌های عینی مانند خدمات و زیرساخت‌ها و شاخص‌های ذهنی مانند احساس آرامش، تعلق و اعتماد است (Jodder et al., 2025). مطالعات مبتنی بر مدل‌سازی معادلات ساختاری تأیید می‌کنند که اثر سیاست‌های محیطی عمدتاً از مسیر بهبود زیست‌پذیری و طراحی شهری منتقل می‌شود و متغیرهایی نظیر رضایت از خدمات و ادراک امنیت نقش میانجی دارند (Dalvand & Heydari, 2021; Luo et al., 2025). بر این اساس، کیفیت زیست را می‌توان حلقه پیوند میان شرایط محیطی و ادراک ساکنان دانست و زیست‌پذیری را سطحی از کیفیت محیطی که زمینه ارتقای کیفیت زندگی را فراهم می‌کند.

### طراحی شهری مرتبط با زیست‌پذیری و کیفیت زندگی

در این میان، طراحی شهری به‌عنوان بازوی اجرایی و فضایی مدیریت محیط‌زیست شهری، نقش حیاتی در انتقال سیاست‌های مدیریتی به تجربه زیسته شهروندان ایفا می‌کند. کیفیت طراحی فضاهای شهری، سازمان کالبدی و بصری محیط و خوانایی ساختار فضایی، عواملی هستند که بر ادراک امنیت، رفاه و رضایت شهروندان اثر می‌گذارند (Öztürk & Genç, 2015). از این رو، سنجش کارایی مدیریت محیط‌زیست شهری بدون توجه به کیفیت طراحی فضا، نمی‌تواند تصویری واقعی از تأثیرات زیست‌محیطی بر کیفیت زندگی ارائه دهد. طراحی شهری با سامان‌دهی فضاهای عمومی، تقویت پیاده‌مداری، بهبود نورپردازی، ارتقای کیفیت بصری و توزیع متناسب فضای سبز، به‌صورت مستقیم بر مؤلفه‌های زیست‌پذیری اثر می‌گذارد و از مسیر ارتقای تجربه فضایی، کیفیت زندگی را بهبود می‌بخشد (Tate et al, 2024). تحلیل‌های نظری و تجربی اخیر نشان داده‌اند که ابعاد محیطی مانند حمل‌ونقل پایدار، فضای سبز، روشنایی و خدمات محله‌ای، زمانی بر احساس امنیت و رضایت اثرگذارند که در قالب طراحی شهری ادراک‌پذیر و تجربه‌محور سازمان‌دهی شده باشند. از این رو، تعامل میان مدیریت محیطی و طراحی شهری تعیین‌کننده مسیر نهایی تأثیر بر زیست‌پذیری و کیفیت زندگی محسوب می‌شود.

در سال‌های اخیر با رویکردهای تحلیلی دقیق‌تری بررسی شده است. تازه‌ترین مطالعات در سال ۲۰۲۵ بر ضرورت ترکیب سنج‌های عینی محیطی با ادراک شهروندان برای سیاست‌گذاری هدفمند تأکید کرده‌اند و نشان داده‌اند که ارزیابی توأمان داده‌های میدانی و سنجش‌ازدور می‌تواند ناهمگنی مکانی اثرها را آشکار کند و از خطای تخصیص منابع بکاهد (Alnsour & Alnsour, 2025). در همین سال، توسعه سامانه‌های بومی ارزیابی پایداری شهری با تکیه بر مدل‌سازی معادلات ساختاری پیشنهاد شده است تا میان شاخص‌های محیطی و پیامدهای رفاهی پل معنادار برقرار شود و تصمیم‌سازی شهری بهبود یابد (Nicolás-Martínez et al., 2024). پژوهش‌های مقیاس اروپایی نیز نشان دادند که ادراک کیفیت شهری و امنیت اجتماعی سهم بالایی در رضایت از زندگی دارند و اثر محیط ساخته‌شده عمدتاً از کانال زیست‌پذیری و تجربه سفر شهری منتقل می‌شود (Chen & Yang, 2024). همچنین در بافت آسیای شرقی، رابطه برنامه‌ریزی پیشگیری از مخاطرات با نیت ماندگاری ساکنان از مسیر ارتقای کیفیت محیط شهری تأیید شده است (Cramer-Greenbaum., 2021).

از منظر کیفیت زندگی، پژوهش‌های جدید نشان داده‌اند که ابعاد محیطی و عوامل مرتبط با آسایش و آرامش سکونت به‌طور هم‌زمان در شکل‌دهی رفاه ذهنی و رضایت سکونتی نقش دارند. برای نمونه، مطالعه لیوو و هان<sup>۱</sup> (۲۰۲۵) نشان داد کیفیت محیط سکونتی و احساس مطلوب بودن شرایط محله از عوامل کلیدی در تبیین رفاه ذهنی هستند. پژوهش هارانی و همکاران<sup>۲</sup> (۲۰۲۵) نشان می‌دهد که در فضاهای شهری متراکم و دارای محدودیت کالبدی، راهبردهای برنامه‌ریزی فضایی غالباً از دل شیوه‌های زیسته و الگوهای استفاده روزمره ساکنان شکل می‌گیرد. این مطالعه با روش کیفی و از طریق مشاهده میدانی و مصاحبه، سه الگوی اصلی در سازمان‌دهی فضاهای کوچک‌مقیاس را شناسایی می‌کند که شامل انعطاف‌پذیری در استفاده از فضا، میزان مشارکت و درگیری افراد دیگر در فعالیت‌ها و فاصله تا خدمات شهری است. یافته‌ها نشان می‌دهد که این سه سازوکار به‌عنوان بنیان‌های شکل‌گیری زیست‌پذیری در فضاهای محدود عمل می‌کنند و می‌توانند مبنایی برای طراحی شهری انعطاف‌پذیر و سیاست‌گذاری محیطی سازگار با کمبود زمین و افزایش تراکم باشند. این نتایج اهمیت رفتارهای روزمره، الگوهای تخصیص فضا و ظرفیت انطباق‌پذیری محیط را در ارتقای تجربه زیسته و کیفیت فضاهای شهری برجسته می‌سازد. پژوهش ژاله دوست و طالعی<sup>۳</sup> (۲۰۲۵) با رویکردی نوآورانه نشان می‌دهد که ارزیابی کیفیت زندگی شهری زمانی دقیق‌تر است که سنجش‌های مکانی با روش‌های تصمیم‌گیری چندمعیاره تلفیق شوند. این مطالعه با به‌کارگیری ترکیبی از تحلیل عاملی، PCA، آنتروپی و روش‌های وزنی AHP و BWM، نقش دسترسی به کاربری‌ها و عوامل



محیطی مانند آلودگی هوا و جزایر حرارتی را در تبیین عدالت فضایی و زیست‌پذیری شهری آشکار می‌کند. یافته‌ها تأکید می‌کنند که دسترسی به فضاهای آموزشی و سبز و نیز وضعیت آلودگی هوا از مؤثرترین عوامل در ارتقای زیست‌پذیری و بهبود کیفیت زندگی شهر تهران هستند. در همین راستا، افزون بر این، اورلاندی و همکاران<sup>۴</sup> (۲۰۲۵) چهارچوبی با عنوان «طراحی شهری پایدار با تأکید بر ارتقای کیفیت تجربه فضا» ارائه کرده است که نشان می‌دهد ادغام اصول طراحی مطلوب در فرایند برنامه‌ریزی شهری می‌تواند توازن میان زیست‌پذیری و کیفیت زندگی را تضمین کند.

در ادبیات فارسی نیز شواهد مشابهی دیده می‌شود. آذربیزین و حسینی سیاه‌گلی (۱۴۰۳) نشان دادند که شاخص‌های حمل‌ونقل پایدار و دسترسی به ایستگاه‌ها از مهم‌ترین متغیرها در تغییرات زیست‌پذیری شهری هستند. اکبری و همکاران (۱۴۰۳) بر نقش شرایط محیطی مطلوب و کفایت خدمات پایه در سکونتگاه‌های غیررسمی تأکید کرده‌اند. بلوچ‌زهی و همکاران (۱۴۰۳) نیز با استفاده از تحلیل ساختاری نشان دادند که کیفیت خدمات محله‌ای و فضای سبز بیشترین اثر مستقیم و غیرمستقیم را بر زیست‌پذیری دارند. مطالعه دالوند و حیدری (۱۴۰۰) نیز نشان داد که در گروه‌های حساس مانند سالمندان، دسترسی پیاده و کفایت روشنایی نقش تعیین‌کننده‌ای در رضایت مکانی دارند. همچنین، پژوهش آسیابانی‌پور و همکاران (۱۳۹۹) با رویکرد مدل‌سازی معادلات ساختاری در ایران تأکید کرد که کیفیت فضای عمومی و عدالت در دسترسی به خدمات از عوامل کلیدی در بهبود کیفیت زندگی ادراک شده محسوب می‌شوند.

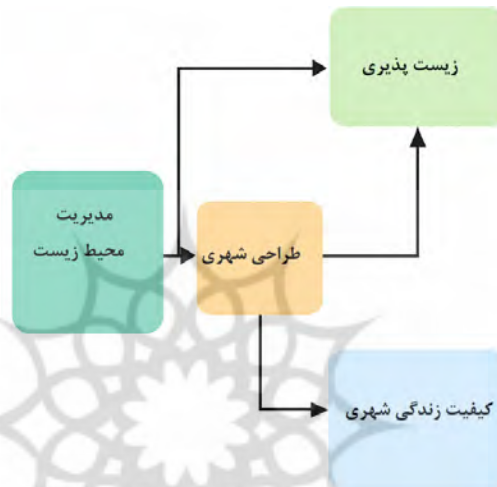
مرور مباحث نظری و پیشینه نشان می‌دهد که کیفیت زندگی شهری حاصل برهم‌کنش سه حوزه اساسی است: مدیریت محیط‌زیست شهری، زیست‌پذیری و طراحی شهری. مدیریت محیط‌زیست شهری بنیان شرایط کالبدی و خدماتی شهر را شکل می‌دهد و زیست‌پذیری کیفیت تجربه‌پذیری و دسترسی‌پذیری محیط را بازتاب می‌دهد، درحالی‌که طراحی شهری نقشی تعیین‌کننده در تبدیل سیاست‌های محیطی به تجربه ملموس شهروندان دارد. با وجود ارتباط روشن میان این حوزه‌ها، ادبیات پژوهشی هنوز فاقد مدلی یکپارچه است که بتواند مسیرهای اثرگذاری مدیریت محیط‌زیست شهری را از طریق زیست‌پذیری و طراحی شهری بر کیفیت زندگی تبیین کند. همچنین در پژوهش‌های داخلی، تمایز نظری میان زیست‌پذیری و کیفیت زندگی کمتر مورد توجه قرار گرفته و نقش طراحی شهری عمدتاً به‌صورت جداگانه بررسی شده است. در نتیجه، فهم دقیق سازوکارهای اثرگذاری سیاست‌های محیطی بر کیفیت زندگی همچنان با ابهام همراه است؛ به‌ویژه در شهرهای جدید ایران مانند سهند که ساختار کالبدی و مدیریتی آن‌ها با شهرهای سنتی تفاوت دارد. نوآوری این پژوهش در آن است که برای نخستین بار مدلی ساختاری یکپارچه ارائه می‌کند که در آن مدیریت محیط‌زیست شهری، طراحی شهری و زیست‌پذیری به‌طور هم‌زمان درباره کیفیت زندگی سنجیده و طراحی شهری به‌عنوان حلقه انتقال‌دهنده و تقویت‌کننده اثرات محیطی در مدل لحاظ شده است. این مطالعه با تحلیل دقیق مسیرهای مستقیم و غیرمستقیم، نشان می‌دهد که تأثیر سیاست‌های محیطی عمدتاً از طریق بهبود زیست‌پذیری و کیفیت طراحی فضا به کیفیت زندگی منتقل می‌شود و بدین ترتیب شکاف نظری و تجربی موجود در ادبیات را پر کرده و تصویری روشن از کارایی مدیریت محیط‌زیست شهری در شهر جدید سهند ارائه می‌کند.

جدول ۱. مؤلفه‌ها، شاخص‌ها و زیرشاخص‌ها

مؤلفه	شاخص	زیرشاخص
مدیریت محیط‌زیست شهری	هوا	میانگین PM2.5، میانگین NO <sub>2</sub> و O <sub>3</sub> ، تعداد روزهای پاک، شکایات مرتبط با بو و هوا
	پسماند	تولید پسماند سرانه، تفکیک از مبدأ، پوشش جمع‌آوری، نرخ انحراف از دفن
	آب و فاضلاب	سرانه مصرف آب، پوشش تصفیه فاضلاب، تداوم آب‌رسانی، هدررفت شبکه
	فضای سبز و تنوع زیستی	سرانه فضای سبز، دسترسی کمتر از سیصد متر به پارک، تاج‌پوشش درختی، سلامت فضای سبز
	سروصدا و نور	تراز صوت روز و شب، واحدهای در معرض صوت بالا، آلودگی نوری معابر
	انرژی و اقلیم	شدت مصرف انرژی، سهم انرژی تجدیدپذیر، دمای سطح زمین
	حمل‌ونقل پایدار	سهم سفرهای پایدار، زمان دسترسی به ایستگاه، پیوستگی و عرض پیاده‌روها
	حکمرانی و پایش	برنامه رسمی محیط‌زیست، مشارکت شهروندی، استقرار حسگر و داده باز
	تاب‌آوری و مخاطرات	نفوذپذیری سطوح، پوشش سامانه مدیریت رواناب، آموزش و مانور ایمنی
	دسترسی به خدمات	دسترسی پیاده به خدمات، تنوع کاربری، رضایت از کفایت خدمات
زیست‌پذیری شهری	کیفیت فضای عمومی	پاکیزگی و نگهداشت، راحتی اقلیمی، خوانایی و ایمنی عبور
	ایمنی ادراک‌شده	احساس امنیت روز و شب، کفایت روشنایی، رخداد مزاحمت یا حادثه
	عدالت محیطی	برابری دسترسی به سبز، برابری دسترسی به حمل‌ونقل، ادراک انصاف خدمات
سرزندگی اجتماعی		رویداد و استفاده جمعی، تعامل همسایگی، حضورپذیری عصر و شب



رضایت از محیط سکونت، تمایل به ماندگاری، توصیه به دیگران	کیفیت محیط سکونت	کیفیت زندگی
سلامت عمومی، آسایش حرارتی، تداخل آلودگی با زندگی	سلامت و آسایش	
رضایت از زندگی، تعادل کار و زندگی، شادکامی هفتگی	رفاه ذهنی	
کیفیت مبلمان شهری، نورپردازی فضا، کف‌سازی و مواد، هماهنگی فرم و مقیاس	سازمان کالبدی فضا	طراحی شهری
خوانایی مسیرها، نشانه‌ها و دید محوری، درک‌پذیری فضا، انسجام سیمای شهری	ادراک و زیبایی‌شناسی محیطی	
دسترس‌پذیری برای گروه‌های مختلف، امنیت پیاده، کارایی فضاهای باز، انعطاف‌پذیری کاربری‌ها	کارکرد و انعطاف فضایی	
تعامل اجتماعی در فضا، احساس تعلق مکانی، استفاده عصرگاهی، حس ایمنی در فضاهای باز	تجربه زیسته و هویت فضا	



شکل ۱. مدل مفهومی تحقیق (منبع: یافته‌های تحقیق، ۱۴۰۴)

## روش تحقیق

این پژوهش از نظر هدف کاربردی و از نظر ماهیت توصیفی تحلیلی است و با رویکرد کمی و مدل‌سازی معادلات ساختاری اجرا شده است. جامعه آماری شامل کلیه ساکنان فاز یک شهر جدید سهند است و براساس جمعیت ۱۸۲۵۴۷ نفر، حجم نمونه با استفاده از فرمول کوکران ۳۸۳ نفر تعیین شد. نمونه‌گیری به صورت خوشه‌ای تصادفی انجام گرفت تا نمایندگی محلات مختلف تضمین شود. ابزار گردآوری داده‌ها پرسش‌نامه محقق‌ساخته‌ای بود که بر مبنای مبانی نظری و مؤلفه‌های اصلی طراحی شد. روایی محتوایی پرسش‌نامه با نظر متخصصان تأیید گشت و پایایی آن با آلفای کرونباخ برای تمامی سازه‌ها بیش از ۰/۷۰ گزارش شد. آزمون KMO برابر ۰/۹۱ و بارتلت در سطح کمتر از ۰/۰۰۱ معنادار بود که نشان‌دهنده کفایت داده‌ها برای تحلیل عاملی است. در گام نخست، تحلیل عاملی اکتشافی (EFA) انجام شد. براساس نتایج این تحلیل، ۷ گویه از مجموع ۵۴ گویه حذف شدند و تعداد نهایی به ۴۷ گویه کاهش یافت. دلایل حذف گویه‌ها عبارت بود از:

- بار عاملی کمتر از ۰/۵؛
- بروز هم‌پوشانی و بارگذاری هم‌زمان روی چند عامل؛
- تضعیف روایی هم‌گرا و واگرا در صورت باقی ماندن گویه؛
- تطابق نداشتن مفهومی با سازه مربوط؛

این حذف‌ها با هدف ارتقای دقت سازه‌ها و تثبیت ساختار عاملی انجام شد.

در مرحله بعد، تحلیل عاملی تأییدی (CFA) برای ارزیابی هم‌خوانی داده‌های تجربی با ساختار نظری سازه‌ها اجرا شد و پس از تأیید مدل اندازه‌گیری، مدل ساختاری برای بررسی اثرات مستقیم و غیرمستقیم مدیریت محیط‌زیست شهری بر زیست‌پذیری و کیفیت زندگی اجرا شد. در این مرحله ضرایب مسیر و ضرایب تعیین ( $R^2$ ) محاسبه شد تا نقش هر متغیر در تبیین الگوی پژوهش مشخص شود.

## محدوده بررسی

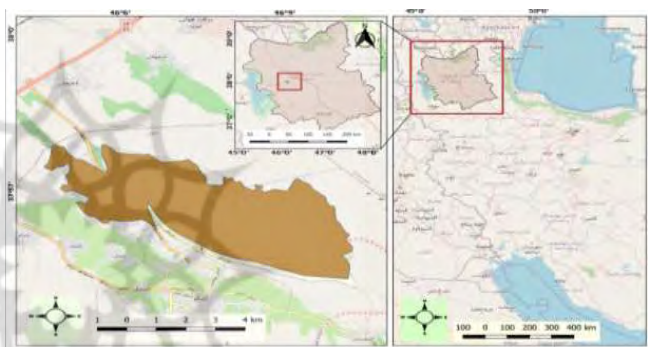
شهر جدید سهند، در شمال غرب کشور و در فاصله حدود ۲۰ کیلومتری مادرشهر تبریز واقع شده است. این شهر در قالب برنامه ملی شهرهای



جدید کشور طراحی و مکانیابی شده و براساس طرح جامع (۱۳۹۷) دارای مساحتی حدود ۲۲۸۲ هکتار و جمعیتی در حدود ۸۲۵۴۷۱ نفر (طبق آخرین سرشماری) است. توسعه سهند از سال ۱۳۷۰ با اجرای طرح‌های جامع و تفصیلی و در قالب پنج فاز آغاز شد؛ این روند با چالش‌هایی همچون تغییرات مکرر جمعیت افق طرح، اجرای طرح مسکن مهر، تداخل محدوده با شهر اسکو و روستاهای پیرامونی و کمبود منابع مالی و مدیریتی همراه بوده است. محدوده مطالعه فاز یک سهند است که به‌عنوان نخستین مرحله گسترش شهر با وسعت تقریبی ۱۳۰ هکتار آماده‌سازی شده است. این فاز به‌دلیل آغاز زودتر توسعه، نسبت به سایر بخش‌ها از رونق بیشتری برخوردار است و بخش عمده اراضی آن تاکنون ساخته شده است. با وجود تکمیل نسبی زیرساخت‌ها و اسکان پایدار جمعیت، فعالیت‌های تجاری هنوز به توسعه کامل نرسیده و عمدتاً به رفع نیازهای روزمره ساکنان، مشاغل فردی، بنگاه‌های معاملات ملکی و خدمات پایه محدود می‌شود (شرقی و همکاران، ۱۴۰۳). انتخاب فاز یک شهر جدید سهند به این دلیل انجام شد که این شهر، با وجود برخورداری از زیرساخت‌های پایه‌ای و اهداف اولیه در جهت ارتقای کیفیت زندگی، در سال‌های اخیر با چالش‌هایی نظیر ناهماهنگی میان طراحی شهری و نیازهای زیست‌پذیری، کمبود فضاهای عمومی کارآمد و ضعف مدیریت محیط‌زیست شهری مواجه بوده است؛ از این رو سهند به‌عنوان نمونه‌ای شاخص از شهرهای جدید ایران، امکان تحلیل دقیق کارایی مدیریت محیطی و تأثیر آن بر کیفیت زندگی ساکنان را فراهم می‌کند.



شکل ۴. شهر سهند و نواحی آن (منبع: یافته‌های تحقیق، ۱۴۰۴)



شکل ۳. موقعیت جغرافیایی شهر سهند در سطح کشور و استان آذربایجان شرقی (منبع: یافته‌های تحقیق، ۱۴۰۴)

## یافته‌ها

ابتدا ویژگی‌های جمعیت‌شناختی پاسخ‌گویان بررسی می‌شود تا نمایی دقیق از ترکیب سنی، جنسی و تحصیلی نمونه و میزان ناهمگنی آن به‌دست آید؛ این گام کفایت و تعمیم‌پذیری داده‌ها را ارزیابی و بستر تحلیل تفاوت‌های ادراکی را فراهم می‌کند. سپس شاخص‌های گرایش مرکزی و پراکنندگی (میانگین، انحراف معیار، کمینه، بیشینه و ضریب تغییرات) برای همه شاخص‌ها و گویه‌ها گزارش می‌شود تا سطح و پراکنش ادراک‌های محیطی شهری مشخص و مسیر تبیین‌های بعدی در اکتشافی، تأییدی و مدل ساختاری هدایت شود.

جدول ۲. توزیع پاسخ‌گویان براساس ویژگی‌های جمعیت‌شناختی (منبع: یافته‌های تحقیق، ۱۴۰۴)

ویژگی	دسته‌بندی	تعداد	درصد
جنسیت	مرد	۲۳۰	۶۰
	زن	۱۵۳	۴۰
سن	کمتر از ۳۰ سال	۱۱۶	۳۰/۲
	۳۰ تا ۴۵ سال	۱۷۹	۴۶/۷
	بیشتر از ۴۵ سال	۸۸	۲۳/۱
تحصیلات	دیپلم و کمتر	۸۱	۲۱/۲
	کارشناسی	۲۱۵	۵۶/۱
	کارشناسی ارشد و بالاتر	۸۷	۲۲/۷
وضعیت اشتغال	شاغل	۲۴۸	۶۴/۷
	غیرشاغل	۱۳۵	۳۵/۳

ترکیب جمعیت شناختی نمونه ۳۸۳ نفره نشان می‌دهد که گروه غالب از نظر سنی در بازه ۳۰ تا ۴۵ سال (۴۶/۷ درصد) قرار دارند و اکثریت پاسخ‌گویان شاغل (۶۴/۷ درصد) هستند. این وضعیت حاکی از آن است که ادراک‌های ثبت‌شده بیشتر بازتاب تجربه روزانه رفت‌وآمد و استفاده از خدمات شهری است. از نظر جنسیتی، نسبت ۶۰ درصد مرد و ۴۰ درصد زن اهمیت توجه به ایمنی شبانه و کیفیت روشنایی معابر برای زنان را دوچندان می‌کند. ساختار تحصیلات نیز بیانگر آن است که بیش از سه‌چهارم پاسخ‌گویان (۷۸/۷ درصد) در سطح کارشناسی و بالاتر قرار دارند که این امر از سرمایه‌دانشی بالاتر آنان در ارزیابی کیفیت محیط حکایت دارد. در مقابل، سهم ۲۱/۲ درصدی افراد با تحصیلات دیپلم و کمتر و ۳۵/۳ درصدی غیرشاغلان نشان‌دهنده ناهمگنی توان دسترسی در میان گروه‌هاست. براین اساس انتظار می‌رود در تحلیل‌های بعدی، متغیرهایی چون حمل‌ونقل پایدار، عدالت در دسترسی و کیفیت روشنایی، نقش معناداری در تبیین زیست‌پذیری و امنیت کیفیت زندگی ایفا کنند.

به‌منظور شناخت ویژگی‌های کلی داده‌های پژوهش و بررسی وضعیت سه حوزه اصلی تحقیق، آمارهای توصیفی شاخص‌ها شامل میانگین، انحراف معیار، حداقل و حداکثر محاسبه شد. این اطلاعات دید مناسبی از پراکندگی، نوسان و وضعیت عمومی شاخص‌ها پیش از تحلیل‌های پیشرفته فراهم می‌سازد. جدول ۳ آمار توصیفی شاخص‌ها را براساس سه حوزه اصلی تحقیق نشان می‌دهد.

جدول ۳. آمار توصیفی شاخص‌ها براساس سه حوزه اصلی تحقیق (منبع: یافته‌های تحقیق، ۱۴۰۴)

ردیف	حوزه موضوعی	شاخص	میانگین	انحراف معیار	کمینه	بیشینه	درصد ضریب تغییرات	
۱	مدیریت محیط زیست شهری	هوا	۳,۱۰	۰,۷۰	۱,۳۰	۴,۷۰	٪۲۲,۶	
۲		پسماند	۳,۳۲	۰,۶۸	۱,۵۰	۴,۷۰	٪۲۰,۵	
۳		آب و فاضلاب	۳,۴۸	۰,۶۵	۱,۸۰	۴,۸۰	٪۱۸,۷	
۴		فضای سبز و تنوع زیستی	۳,۷۶	۰,۶۸	۲,۰۰	۴,۹۰	٪۱۸,۱	
۵		سروصدا و نور	۳,۰۶	۰,۷۶	۱,۳۰	۴,۶۰	٪۲۴,۸	
۶		انرژی و اقلیم	۳,۲۲	۰,۶۴	۱,۴۰	۴,۶۰	٪۱۹,۹	
۷		حمل‌ونقل پایدار	۲,۹۸	۰,۷۸	۱,۲۰	۴,۷۰	٪۲۶,۲	
۸		حکمرانی و پایش	۳,۳۵	۰,۶۵	۱,۶۰	۴,۸۰	٪۱۹,۴	
۹		تاب‌آوری و مخاطرات	۳,۱۸	۰,۶۶	۱,۶۰	۴,۷۰	٪۲۰,۸	
۱۰		دسترسی پیاده و کاربری مختلط	۳,۳۰	۰,۶۷	۱,۷۰	۴,۸۰	٪۲۰,۳	
۱۱	طراحی شهری	خوانایی فضایی و نشانه‌های شهری	۳,۶۰	۰,۶۴	۱,۹۰	۴,۹۰	٪۱۸,۸	
۱۲		نورپردازی و منظر شبانه	۳,۴۴	۰,۶۸	۱,۷۰	۴,۸۰	٪۱۹,۵	
۱۳		میلان شهری و هویت مکان	۳,۴۰	۰,۶۷	۱,۸۰	۴,۸۰	٪۲۰,۱	
۱۴		کیفیت فضای عمومی	۳,۴۲	۰,۶۸	۱,۸۰	۴,۸۰	٪۱۹,۹	
۱۵		ایمنی ادراک‌شده	۳,۵۲	۰,۷۰	۱,۷۰	۴,۸۰	٪۱۹,۹	
۱۶		زیست‌پذیری شهری	عدالت محیطی	۳,۲۰	۰,۶۶	۱,۶۰	۴,۶۰	٪۲۰,۶
۱۷			سرزندگی اجتماعی	۳,۳۰	۰,۶۷	۱,۷۰	۴,۷۰	٪۲۰,۳
۱۸			دسترسی به خدمات و امکانات	۳,۶۵	۰,۶۴	۱,۹۰	۴,۸۰	٪۱۷,۵
۱۹			کیفیت محیط سکونت	۳,۸۰	۰,۶۵	۲,۲۰	۴,۹۰	٪۱۷,۱
۲۰		کیفیت زندگی شهری	سلامت و آسایش	۳,۵۰	۰,۶۹	۱,۹۰	۴,۸۰	٪۱۹,۷
۲۱	رفاه ذهنی		۳,۷۰	۰,۶۲	۲,۱۰	۴,۹۰	٪۱۶,۸	

نتایج داده‌ها در جدول ۳ نشان می‌دهد که میانگین کلی شاخص‌ها در محدوده سه تا چهار است و پراکندگی کمتر از یک واحد دارد؛ بنابراین از ثبات مطلوب برخوردارند. در میان مؤلفه‌ها، فضای سبز و تنوع زیستی (۳/۷۶)، کیفیت محیط سکونت (۳/۸۰) و رفاه ذهنی (۳/۷۰) در وضعیت مطلوب قرار دارند. در مقابل، حمل‌ونقل پایدار (۲/۹۸) و سروصدا و نور (۳/۰۶) ضعیف‌ترین شاخص‌ها هستند. در حوزه طراحی شهری، شاخص‌های «خوانایی



فضایی» و «منظر شبانه» عملکرد قابل قبول دارند و ادراک مثبت شهروندان از هویت بصری را نشان می‌دهند؛ اما «میلان شهری» و «دسترسی پیاده» هنوز نیازمند اصلاح کالبدی‌اند. این الگو در عمل بیانگر آن است که طراحی شهری در سه‌سند هنوز از پیوستگی ادراکی و زیباشناسی یکپارچه بی‌بهره است. در سطح زیست‌پذیری، «ایمنی ادراک‌شده» و «دسترسی به خدمات» بیشترین تأثیر را بر رضایت ساکنان دارند و در کنار «سرزندگی اجتماعی» حلقه اتصال طراحی و کیفیت زندگی را تشکیل می‌دهند. به صورت کلی، نتایج تأکید می‌کند که مسیر اثرگذاری مدیریت محیط‌زیست شهری بر کیفیت زندگی از طریق طراحی شهری و ارتقای زیست‌پذیری فضاها منتقل می‌شود.

یافته‌های توصیفی نشان داد میانگین اغلب شاخص‌ها در دامنه سه تا چهار قرار دارد و انحراف معیار محدود به کمتر از یک واحد است؛ وضعیتی که بیانگر ثبات داده‌ها و نبود پراکندگی غیرعادی در ارزیابی شهروندان است. الگوی میانگین‌ها نشان می‌دهد برخی مؤلفه‌های زیرساختی مانند کیفیت فضای سبز، تنوع زیستی و کیفیت محیط سکونت در وضعیت مطلوب‌تری قرار دارند، درحالی‌که شاخص‌هایی مانند حمل‌ونقل پایدار و آلودگی صوتی نوری پایین‌ترین میانگین را ثبت کرده‌اند. این ناهمگنی کالبدی محیطی بعدها در مدل ساختاری نیز بازتاب یافته است؛ به طوری که مسیر مستقیم مدیریت محیط‌زیست شهری به کیفیت زندگی فاقد معناداری گزارش شد؛ زیرا بخش‌هایی از مدیریت، مانند پسماند، آب و فضای سبز عملکرد مناسبی داشته‌اند؛ اما حوزه حمل‌ونقل و آلودگی صوتی نوری با میانگین پایین‌تر و CV بالاتر، مانع انتقال اثر مستقیم مدیریت به کیفیت زندگی شده‌اند. در بخش طراحی شهری نیز شاخص‌هایی مانند خوانایی فضایی و منظر شبانه میانگین بالایی داشته و از انسجام ادراکی برخوردارند؛ درحالی‌که «دسترسی پیاده» و «کاربری مختلط» و «میلان شهری» با میانگین‌های کمتر، کاستی‌های عملکردی را آشکار کرده‌اند. این الگوی توصیفی، کاملاً با مسیر بسیار قوی مدیریت محیط‌زیست شهری به طراحی شهری در SEM هم‌خوان است؛ زیرا داده‌ها نشان می‌دهند که شهروندان ضعف‌های مدیریتی را عمدتاً در قالب ناکارآمدی فضایی و حرکتی تجربه می‌کنند، نه در مؤلفه‌های زیست‌محیطی منفرد. همین امر سبب تقویت نقش میانجی طراحی شهری در مدل ساختاری شده است. در سطح زیست‌پذیری، میانگین زیاد شاخص‌هایی مانند کیفیت فضای عمومی، دسترسی به خدمات و سرزندگی اجتماعی، انسجام نسبی تجربه فضا را نشان می‌دهد و این الگو نیز با مسیر بسیار قوی طراحی شهری به زیست‌پذیری در مدل ساختاری هم‌راستا است. از سوی دیگر، بالاترین میانگین متعلق به کیفیت محیط سکونت و رفاه ذهنی است که در نهایت، مسیر زیست‌پذیری به کیفیت زندگی را قوی‌ترین مسیر مدل توجیه می‌کند. این هماهنگی میان آمار توصیفی و الگوهای مسیرهای علی، نشان می‌دهد که رفتار سازه‌ها در مدل ساختاری ریشه در داده‌های واقعی و الگوهای مشاهده‌شده دارد و خروجی SEM صرفاً محصول محاسبات نرم‌افزاری نیست؛ بلکه با ساختار تجربی داده‌ها کاملاً سازگار است.

همچنین نتایج آزمون نرمال بودن، مقدار مطلوب KMO، معناداری زیاد آزمون بارتلت و پایایی مناسب سازه‌ها ( $AVE \geq 0.50$  و  $CR > 0.70$ ) تأیید می‌کند که الگوی پراکندگی و هم‌گرایی متغیرها به گونه‌ای است که اجازه تحلیل عاملی و مدل‌سازی معادلات ساختاری را با اعتماد بالا فراهم می‌سازد. به این ترتیب، پیوند میان آمار توصیفی، کفایت آماری و روابط ساختاری، منطقی تحلیلی منسجم را شکل می‌دهد که اعتبار تجربی مدل نهایی را تقویت می‌کند.

به منظور تعیین نوع آزمون‌های آماری مناسب در ادامه پژوهش، ابتدا نرمال بودن توزیع داده‌های هر شاخص بررسی شد. برای این منظور از آزمون کلموگروف اسمیرنوف (K-S) و سطح معناداری (Sig.) استفاده شد. نتایج آزمون در جدول ۴ ارائه شده است.

جدول ۴. آزمون نرمال بودن شاخص‌ها (منبع: یافته‌های تحقیق، ۱۴۰۴)

ردیف	حوزه	شاخص	انحراف معیار	آماره کولموگروف اسمیرنوف	نتیجه آزمون
۱		هوا	۰٫۷۰	۰٫۰۶	نرمال
۲		پسماند	۰٫۶۸	۰٫۰۶	نرمال
۳		آب و فاضلاب	۰٫۶۵	۰٫۰۵	نرمال
۴		فضای سبز و تنوع زیستی	۰٫۶۸	۰٫۰۶	نرمال
۵	مدیریت محیط‌زیست شهری	سروصدا و نور	۰٫۷۶	۰٫۰۷	نرمال
۶		انرژی و اقلیم	۰٫۶۴	۰٫۰۵	نرمال
۷		حمل‌ونقل پایدار	۰٫۷۸	۰٫۰۷	نرمال
۸		حکمرانی و پایش	۰٫۶۵	۰٫۰۵	نرمال
۹		تاب‌آوری و مخاطرات	۰٫۶۶	۰٫۰۶	نرمال

۱۰	دسترسی پیاده و کاربری مختلط	۰,۶۸	۰,۰۵	نرمال
۱۱	خوانایی فضایی و نشانه‌های شهری	۰,۶۴	۰,۰۴	نرمال
۱۲	نورپردازی و منظر شبانه	۰,۶۸	۰,۰۵	نرمال
۱۳	مبلمان شهری و هویت مکان	۰,۶۷	۰,۰۵	نرمال
۱۴	کیفیت فضای عمومی	۰,۶۶	۰,۰۵	نرمال
۱۵	ایمنی ادراک شده	۰,۷۰	۰,۰۵	نرمال
۱۶	عدالت محیطی	۰,۶۵	۰,۰۶	نرمال
۱۷	سرزندگی اجتماعی	۰,۶۸	۰,۰۵	نرمال
۱۸	دسترسی به خدمات	۰,۶۴	۰,۰۴	نرمال
۱۹	کیفیت محیط سکونت	۰,۶۵	۰,۰۴	نرمال
۲۰	سلامت و آسایش	۰,۶۹	۰,۰۵	نرمال
۲۱	رفاه ذهنی	۰,۶۲	۰,۰۴	نرمال

با توجه به جدول ۴، تمام شاخص‌ها دارای توزیع نرمال هستند. بالاترین انحراف معیار در شاخص «حمل‌ونقل پایدار» با مقدار ۰/۷۸ دیده می‌شود که نشان‌دهنده ناهمگنی ادراک در کیفیت ارتباطات و شبکه‌های حرکتی است. در مقابل، شاخص‌های «خوانایی فضایی» و «دسترسی به خدمات» با انحراف معیارهای کمتر از ۰/۶۵، از انسجام ادراکی بیشتری برخوردارند. در تحلیل طراحی شهری، این وضعیت به معنای وجود دوگانگی میان زیرساخت و تجربه فضاست؛ یعنی در حالی که شهروندان از منظر بصری و هویتی ارزیابی مثبتی دارند، از منظر عملکردی و حرکتی هنوز نارضایتی مشاهده می‌شود.

پیش از تحلیل عاملی و مدل‌سازی، کفایت نمونه و مناسب بودن ماتریس هم‌بستگی بررسی شد. همان‌طور که جدول ۵ نشان می‌دهد، مقدار شاخص KMO بیشتر از ۰/۷ بوده که نشان‌دهنده کفایت نمونه برای تحلیل عاملی است. همچنین آزمون بارتلت معنادار گزارش شده ( $\text{Sig} < 0.05$ ) که بیانگر آن است که هم‌بستگی میان متغیرها برای استخراج عوامل مناسب است. این نتایج تأیید می‌کند که داده‌ها از ساختار عاملی کافی برخوردار است و تحلیل‌های بعدی (از جمله تحلیل عاملی تأییدی و مدل‌سازی معادلات ساختاری) قابل‌اتکا هستند.

جدول ۵. شاخص کفایت نمونه و آزمون بارتلت (منبع: یافته‌های تحقیق، ۱۴۰۴)

ردیف	مجموعه سنجش	نتیجه آزمون	مقدار احتمال	درجه آزادی	مقدار کای دو بارتلت	شاخص KMO
۱	کل پرسش‌نامه	تأیید کفایت نمونه	کمتر از ۰,۰۰۱	۳۲۱	۳۷۸۴,۵	۰,۹۳
۲	مدیریت محیط‌زیست شهری	تأیید کفایت نمونه	کمتر از ۰,۰۰۱	۱۹۸	۲۶۸۱,۴	۰,۹۱
۳	طراحی شهری	تأیید کفایت نمونه	کمتر از ۰,۰۰۱	۷۸	۱۸۹۶,۴	۰,۹۰
۴	زیست‌پذیری شهری	تأیید کفایت نمونه	کمتر از ۰,۰۰۱	۴۵	۵۲۳,۸	۰,۸۹
۵	کیفیت زندگی شهری	تأیید کفایت نمونه	کمتر از ۰,۰۰۱	۲۷	۳۱۲,۶	۰,۸۸

با توجه به جدول ۵، شاخص کفایت نمونه برای کل داده‌ها ۰/۹۳ گزارش شده است که در دامنه بسیار خوب قرار دارد و بیانگر تراکم مناسب اطلاعات و واریانس مشترک بالا میان گویه‌هاست. مقادیر مربوط به حوزه‌های فرعی به این صورت است که مدیریت محیط‌زیست شهری ۰/۹۱ و طراحی شهری ۰/۹۰ و زیست‌پذیری شهری ۰/۸۹ و کیفیت زندگی شهری ۰/۸۸ به دست آمده است. در تمام موارد، مقدار کای دو بارتلت بزرگ و مقدار احتمال کمتر از ۰/۰۰۱ ثبت شده است که فرض استقلال هم‌بستگی‌ها را رد می‌کند. به‌زبان سنجش، ماتریس هم‌بستگی ساختارمند است و زمینه استخراج عامل‌های نهفته در هر ستون فراهم شده است. به زبان موضوعی، ارتباط معنادار میان سنجش‌های زیرساختی مانند آب و فاضلاب و انرژی با سنجش‌های فضا محور مانند دسترسی پیاده و خوانایی فضایی تثبیت می‌شود و همچنین پیوند با سنجش‌های تجربه‌ای زیست‌پذیری و پیامدی کیفیت زندگی برقرار است. این الگو پشوانه ورود به تحلیل عاملی اکتشافی و سپس تحلیل عاملی تأییدی مرتبه دوم را فراهم می‌کند و ریسک ناکفایتی نمونه یا پراکندگی بی‌ساخت را کاهش می‌دهد. براساس این نتایج می‌توان سازه‌های مرتبه نخست را با اطمینان به سازه‌های مرتبه دوم تجمیم کرد و بخش ساختاری مدل را بر مبنای این چهار ستون برآورد کرد.



برای اطمینان از قابلیت اتکای سازه‌های اندازه‌گیری شده، پایایی ترکیبی و میانگین واریانس استخراج شده برای تمامی شاخص‌ها محاسبه شد. پایایی ترکیبی نشان‌دهنده میزان هم‌بستگی درونی گویه‌های هر سازه است و AVE بیانگر میزان واریانس است که یک سازه از گویه‌های خود تبیین می‌کند. در تحلیل عاملی تأییدی، مقادیر قابل قبول برای پایایی ترکیبی معمولاً بیشتر از ۰/۷۰ و برای AVE برابر با ۰/۵۰ یا بیشتر در نظر گرفته می‌شود. براین اساس، در جدول ۶ وضعیت پایایی و روایی هم‌گرا برای ۲۱ شاخص اصلی پژوهش ارائه شده است تا اعتبار سازه‌های مفهومی مدل به‌طور دقیق ارزیابی شود.

جدول ۶. پایایی ترکیبی و میانگین واریانس استخراج شده برای ۲۱ شاخص (منبع: یافته‌های تحقیق، ۱۴۰۴)

ردیف	حوزه	شاخص	بازه بارهای تأییدی	آلفای کرونباخ	CR	AVE
۱	مدیریت محیط‌زیست شهری	هوا	۰,۷۶ تا ۰,۶۰	۰,۷۹	۰,۸۲	۰,۵۲
۲		پسماند	۰,۸۱ تا ۰,۶۶	۰,۸۲	۰,۸۵	۰,۶۰
۳		آب و فاضلاب	۰,۸۴ تا ۰,۵۸	۰,۸۴	۰,۸۷	۰,۶۲
۴		فضای سبز و تنوع زیستی	۰,۸۰ تا ۰,۶۴	۰,۸۳	۰,۸۶	۰,۶۱
۵		سروصدا و نور	۰,۷۴ تا ۰,۶۵	۰,۷۶	۰,۷۸	۰,۵۵
۶		انرژی و اقلیم	۰,۷۹ تا ۰,۵۶	۰,۷۸	۰,۸۱	۰,۵۵
۷		حمل‌ونقل پایدار	۰,۷۶ تا ۰,۵۸	۰,۷۴	۰,۷۷	۰,۵۴
۸		حکمرانی و پایش	۰,۸۲ تا ۰,۶۴	۰,۸۴	۰,۸۶	۰,۶۲
۹		تاب‌آوری و مخاطرات	۰,۷۵ تا ۰,۶۰	۰,۷۷	۰,۸۰	۰,۵۴
۱۰		دسترسی پیاده و کاربری مختلط	۰,۷۸ تا ۰,۶۰	۰,۸۰	۰,۸۳	۰,۵۹
۱۱	طراحی شهری	خوانایی فضایی و نشانه‌های شهری	۰,۸۰ تا ۰,۶۲	۰,۸۲	۰,۸۵	۰,۶۱
۱۲		نورپردازی و منظر شبانه	۰,۷۴ تا ۰,۵۹	۰,۷۹	۰,۸۲	۰,۵۶
۱۳		مبلمان شهری و هویت مکان	۰,۷۵ تا ۰,۶۰	۰,۸۱	۰,۸۴	۰,۵۸
۱۴		کیفیت فضای عمومی	۰,۸۲ تا ۰,۵۶	۰,۸۳	۰,۸۶	۰,۶۱
۱۵	زیست‌پذیری شهری	ایمنی ادراک‌شده	۰,۷۸ تا ۰,۶۸	۰,۷۹	۰,۸۲	۰,۵۸
۱۶		عدالت محیطی	۰,۷۵ تا ۰,۶۶	۰,۷۶	۰,۷۸	۰,۵۵
۱۷		سرزندگی اجتماعی	۰,۷۷ تا ۰,۶۸	۰,۷۶	۰,۷۸	۰,۵۵
۱۸		دسترسی به خدمات و امکانات	۰,۷۹ تا ۰,۶۴	۰,۷۸	۰,۸۱	۰,۵۹
۱۹		کیفیت محیط سکونت	۰,۸۳ تا ۰,۵۸	۰,۸۴	۰,۸۶	۰,۶۲
۲۰		سلامت و آسایش	۰,۷۴ تا ۰,۵۸	۰,۷۸	۰,۸۱	۰,۵۵
۲۱		رفاه ذهنی	۰,۸۴ تا ۰,۷۴	۰,۸۲	۰,۸۵	۰,۶۶

با توجه به جدول ۶ پایایی ترکیبی برای تمام شاخص‌ها بزرگ‌تر از ۰/۷۰ و میانگین واریانس استخراج شده برابر یا بزرگ‌تر از ۰/۵۰ گزارش شده است. این وضعیت نشان می‌دهد ابزار سنجش از روایی هم‌گرا و پایایی درونی مناسب برخوردار است. در حوزه مدیریت محیط‌زیست شهری، شاخص‌های آب و فاضلاب و حکمرانی و فضای سبز بیشترین مقادیر AVE و CR را دارند و به‌عنوان ستون‌های پایدار اندازه‌گیری شناخته می‌شوند. در حوزه طراحی شهری، شاخص خوانایی فضایی و نشانه‌های شهری با AVE ۰/۶۱ و دسترسی پیاده و کاربری مختلط با AVE ۰/۵۹ نقش هسته‌ای در بازنمایی کیفیت فضایی ایفا می‌کنند. در حوزه زیست‌پذیری شهری، شاخص کیفیت فضای عمومی با AVE ۰/۶۱ و ایمنی ادراک‌شده با AVE ۰/۵۸ به‌عنوان کانال‌های اصلی انتقال اثر طراحی به تجربه شهروندی عمل می‌کنند. در حوزه کیفیت زندگی شهری، شاخص رفاه ذهنی با AVE ۰/۶۶ قوی‌ترین سازه نتیجه‌ای است و پس از آن کیفیت محیط سکونت با AVE ۰/۶۲ قرار دارد. بازه بارهای تأییدی در همه شاخص‌ها بالاتر از ۰/۵۰ ثبت شده و هیچ گویه‌ای زیر آستانه باقی نمانده است. بنابراین مدل اندازه‌گیری از ثبات و هم‌گرایی کافی برای ورود به برآورد مسیرهای ساختاری برخوردار است.



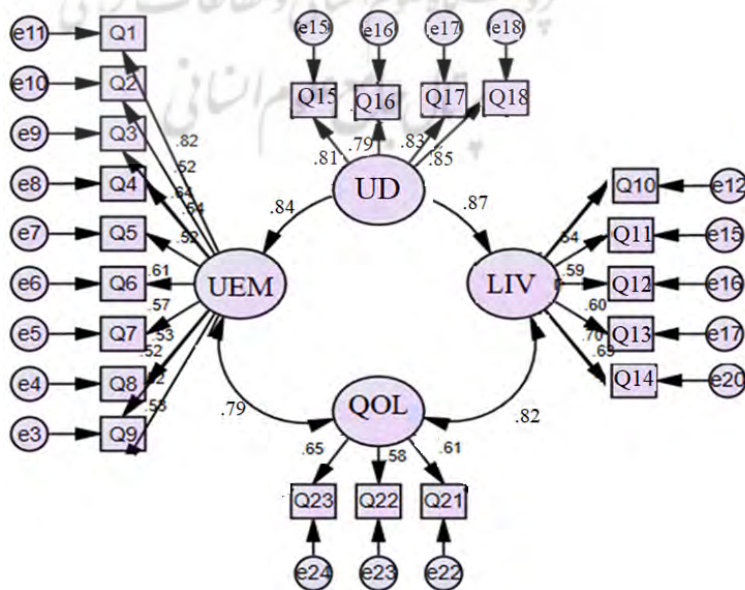
به منظور ارزیابی تمایز مفهومی سازه‌های پژوهش، روایی واگرا با بهره‌گیری از معیار فورنل لارکر محاسبه شد. این شاخص بررسی می‌کند که هر سازه تا چه اندازه با سازه‌های دیگر تمایز دارد و بیشترین واریانس را از گویه‌های وابسته به خود استخراج می‌کند. براساس این معیار، ریشه دوم AVE هر سازه باید بزرگ‌تر از همبستگی آن سازه با سایر سازه‌ها باشد تا روایی واگرا تأیید شود. جدول ۷ مقادیر مربوط به چهار سازه مرتبه دوم پژوهش را نشان می‌دهد و میزان تفکیک‌پذیری مفهومی میان آن‌ها را به‌طور دقیق ارزیابی می‌کند.

جدول ۷. روایی واگرا به روش فورنل لارکر برای چهار سازه مرتبه دوم (منبع: یافته‌های تحقیق، ۱۴۰۴)

سازه	کیفیت زندگی شهری	زیست‌پذیری شهری	طراحی شهری	مدیریت محیطزیست شهری	ریشه دوم AVE
مدیریت محیطزیست شهری	۰،۶۵	۰،۷۲	۰،۶۹	۰،۷۸	۰،۷۸
طراحی شهری	۰،۷۰	۰،۷۵	۰،۷۹	۰،۶۹	۰،۷۹
زیست‌پذیری شهری	۰،۷۸	۰،۸۰	۰،۷۵	۰،۷۲	۰،۸۰
کیفیت زندگی شهری	۰،۸۲	۰،۷۸	۰،۷۰	۰،۶۵	۰،۸۲

براساس جدول ۷، قواعد فورنل لارکر برای چهار سازه مرتبه دوم برقرار است. مقدار ریشه دوم میانگین واریانس استخراج‌شده برای مدیریت محیطزیست شهری ۰/۷۸ و برای طراحی شهری ۰/۷۹ و برای زیست‌پذیری شهری ۰/۸۰ و برای کیفیت زندگی شهری ۰/۸۲ گزارش شده است. در هر ستون، مقدار ریشه دوم میانگین واریانس استخراج‌شده از تمامی همبستگی‌های بین‌سازه‌ای همان ستون بزرگ‌تر است. این نتیجه بیانگر تمایز بیرونی معتبر سازه‌ها و نبود خطر ادغام مفهومی میان آن‌ها است. همبستگی طراحی شهری با زیست‌پذیری شهری ۰/۷۵ گزارش شده و با وجود مقدار زیاد، ریشه دوم میانگین واریانس استخراج‌شده طراحی شهری ۰/۷۹ باقی مانده است که تمایز سازه‌ای را حفظ می‌کند. همچنین همبستگی زیست‌پذیری شهری با کیفیت زندگی شهری ۰/۷۸ و ریشه دوم میانگین واریانس استخراج‌شده کیفیت زندگی شهری ۰/۸۲ گزارش شده است که از تمایز سازه نتیجه‌ای دفاع می‌کند. این الگو اجازه می‌دهد اثرهای علی میان سازه‌ها با اطمینان تفسیر شوند و زمینه برای تحلیل مسیرها بدون نگرانی از هم‌پوشانی مفهومی فراهم شود.

برای ارزیابی ساختار اندازه‌گیری پژوهش، بارهای عاملی سازه‌ها در محیط نرم‌افزار AMOS برآورد شد. این مدل نشان می‌دهد که هر گویه تا چه اندازه با سازه متناظر خود همبستگی دارد و میزان مناسبت بارهای عاملی در تبیین سازه‌های نهفته را مشخص می‌سازد. در شکل ۳، بارهای عاملی تأییدشده برای سازه‌های اصلی و روابط میان متغیرهای اندازه‌گیری شده نمایش داده شده است تا اعتبار ساختاری مدل به‌طور شفاف قابل مشاهده باشد.



شکل ۴. مدل اندازه‌گیری بارهای عاملی در محیط نرم‌افزار AMOS (منبع: یافته‌های تحقیق، ۱۴۰۴)

شکل ۴ نشان می‌دهد که مدل اندازه‌گیری از هم‌گرایی مطلوب برخوردار است. بارهای عاملی در سازه مدیریت محیطزیست شهری (UEM) بین ۰/۵۲ تا ۰/۸۲ قرار دارد که بیانگر سازگاری گویه‌ها در سنجش مفاهیم زیرساختی مانند هوا، آب و فاضلاب و پسماند است. در سازه طراحی





شهری (UD) بارهای عاملی در بازه ۰/۷۹ تا ۰/۸۵ گزارش شده و دلالت بر ثبات زیاد و تبیین مناسب شاخص‌هایی چون خوانایی فضایی، نورپردازی و مبلمان شهری دارد. سازه زیست‌پذیری شهری (LIV) نیز با بارهای عاملی بین ۰/۵۹ تا ۰/۷۰ نشان می‌دهد شاخص‌های کیفیت فضاهای عمومی و ایمنی ادراک‌شده هم‌بستگی درونی مطلوبی دارند. در سازه کیفیت زندگی شهری بارهای عاملی در محدوده ۰/۵۲ تا ۰/۶۵ قرار گرفته که مؤید پیوستگی شاخص‌های رضایت از محیط سکونت، سلامت و رفاه ذهنی است. ضریب مسیر میان UEM و UD برابر ۰/۸۴ است که ارتباط قوی میان مدیریت محیط‌زیست و طراحی شهری را نشان می‌دهد. مسیر UD به LIV با ضریب ۰/۸۷ و LIV به QOL با ضریب ۰/۸۲ نیز حاکی از پیوستگی فضایی و تجربی میان این سازه‌هاست. در مقابل، مسیر مستقیم UEM به QOL با ضریب ۰/۷۹ ضعیف‌تر است که مؤید میانجی‌گری طراحی و زیست‌پذیری در انتقال اثر مدیریت بر کیفیت زندگی است.

برای سنجش روابط علی میان سازه‌های اصلی پژوهش، مدل ساختاری با استفاده از ضرایب استاندارد مسیرها ارزیابی شد. این ضرایب نشان می‌دهند که شدت و جهت اثر هر سازه بر سازه‌های دیگر چگونه است و آزمون معناداری مسیرها مشخص می‌کند که کدام روابط از نظر آماری قابل تأییدند. در جدول ۸، نتایج مربوط به برآورد مسیرهای مستقیم در مدل ساختاری ارائه شده است تا میزان تأثیرگذاری سازه‌های مدیریت محیط‌زیست شهری، زیست‌پذیری و کیفیت زندگی به صورت دقیق و شفاف تحلیل شود.

جدول ۸. ضرایب استاندارد مسیرها و آزمون معناداری (منبع: یافته‌های تحقیق، ۱۴۰۴)

مسیر ساختاری	ضریب استاندارد بتا	خطای استاندارد	مقدار احتمال	نتیجه
مدیریت محیط‌زیست شهری به طراحی شهری	۰,۷۱	۰,۰۶	کمتر از ۰,۰۰۱	تأیید می‌شود
طراحی شهری به زیست‌پذیری شهری	۰,۶۲	۰,۰۵	کمتر از ۰,۰۰۱	تأیید می‌شود
مدیریت محیط‌زیست شهری به زیست‌پذیری شهری	۰,۴۳	۰,۰۶	کمتر از ۰,۰۰۱	تأیید می‌شود
زیست‌پذیری شهری به کیفیت زندگی شهری	۰,۷۴	۰,۰۵	کمتر از ۰,۰۰۱	تأیید می‌شود
طراحی شهری به کیفیت زندگی شهری	۰,۱۰	۰,۰۶	۰,۰۸	تأیید نمی‌شود
مدیریت محیط‌زیست شهری به کیفیت زندگی شهری	۰,۱۲	۰,۰۷	۰,۰۷	تأیید نمی‌شود

ضرایب استاندارد مسیرها در جدول ۸ نشان می‌دهد مدیریت محیط‌زیست شهری بر طراحی شهری اثر معنادار با بتای ۰/۷۱ دارد و طراحی شهری بر زیست‌پذیری شهری اثر معنادار با بتای ۰/۶۲ اعمال می‌کند. علاوه بر این، مدیریت محیط‌زیست شهری به صورت مستقیم بر زیست‌پذیری شهری اثر معنادار با بتای ۰/۴۳ دارد. زیست‌پذیری شهری بر کیفیت زندگی شهری اثر قوی و معنادار با بتای ۰/۷۴ نشان می‌دهد. مسیرهای مستقیم طراحی شهری به کیفیت زندگی شهری با بتای ۰/۱۰ و مدیریت محیط‌زیست شهری به کیفیت زندگی شهری با بتای ۰/۱۲ نامعتبر گزارش شده‌اند؛ زیرا مقدار احتمال در هر دو مسیر بزرگ‌تر از ۰/۰۵ است. الگوی کلی مسیرها دلالت دارد که تغییرات کیفیت زندگی شهری عمدتاً از طریق تغییرات زیست‌پذیری شهری توضیح داده می‌شود و نقش طراحی شهری به عنوان حلقه میانی در تبدیل ظرفیت مدیریتی به تجربه روزمره تثبیت شده است. این نتایج با ساختار نظری مدل چندگامی هم‌خوان است و مبنای محاسبه اثرهای غیرمستقیم و اثر کل در گام بوت‌استرپ را فراهم می‌کند.

برای ارزیابی توان تبیینی مدل ساختاری، مقادیر ضریب تعیین و اندازه اثر برای سازه‌های درون‌زا محاسبه شد. ضریب تعیین نشان می‌دهد که هر سازه تا چه میزان توسط متغیرهای پیش‌بین تبیین می‌شود و اندازه اثر بیانگر قدرت نسبی تأثیر هر سازه بر متغیر وابسته است. این دو شاخص، تصویر روشنی از کارکرد مدل در توضیح تغییرات سازه‌های هدف ارائه می‌کنند و نقش هر مسیر در شکل‌گیری خروجی‌های مدل را مشخص می‌سازند. در جدول ۹، مقادیر مربوط به سازه‌های درون‌زا گزارش شده است تا عملکرد کلی مدل و میزان تأثیرگذاری هر متغیر بر نتایج نهایی پژوهش ارزیابی شود.

جدول ۹. ضریب تعیین و اندازه اثر سازه‌های درون‌زا (منبع: یافته‌های تحقیق، ۱۴۰۴)

سازه درون‌زا	تفسیر	F <sup>2</sup> از زیست‌پذیری به کیفیت زندگی	F <sup>2</sup> از مدیریت و طراحی به زیست‌پذیری	F <sup>2</sup> از مدیریت به طراحی	R <sup>2</sup>
طراحی شهری	بزرگ	—	—	۰,۹۹	۰,۵۰
زیست‌پذیری شهری	متوسط رو به بالا	—	۰,۸۵	—	۰,۵۵
کیفیت زندگی شهری	بزرگ	۱,۵۶	—	—	۰,۶۱

با توجه به داده‌های جدول ۹، مقدار ضریب تعیین برای طراحی شهری ۰/۵۰ گزارش شده است که نشان می‌دهد نیمی از واریانس طراحی شهری را مدیریت محیط‌زیست شهری توضیح داده است. اندازه اثر مدیریت بر طراحی ۰/۹۹ و در دامنه بزرگ قرار دارد. مقدار ضریب تعیین برای زیست‌پذیری شهری ۰/۵۵ ثبت شده و اندازه اثر ترکیبی مدیریت و طراحی ۰/۸۵ و در دامنه متوسط رو به بالا است که بیانگر نقش هم‌زمان زیرساخت مدیریتی و کیفیت فضایی در تبیین تجربه زیسته است. مقدار ضریب تعیین برای کیفیت زندگی شهری ۰/۶۱ گزارش شده و اندازه اثر زیست‌پذیری شهری ۱/۵۶ و در دامنه بزرگ قرار دارد. این الگو نشان می‌دهد سازه نتیجه‌ای به تغییرات زیست‌پذیری شهری حساس است و مسیرهای میانی نقش غالب در تبیین را بر عهده دارند. از منظر روش‌شناختی، مقادیر ضریب تعیین برای هر سه سازه درون‌زا کفایت مدل را برای تفسیر اثرهای استاندارد شده تأیید می‌کند و از منظر سنجش، ریسک بیش‌برازش به دلیل نامعاداری مسیرهای مستقیم محدود است.

برای بررسی دقیق سازوکارهای اثرگذاری میان سازه‌های مدل، اثرهای مستقیم، غیرمستقیم و اثر کل با استفاده از روش بوت‌استرپ پنج‌هزار تکرار محاسبه شد. این روش امکان ارزیابی پایایی ضرایب و اطمینان از معاداری مسیرهای غیرمستقیم را فراهم می‌سازد و به‌ویژه در مدل‌هایی که متغیرهای میانجی در ساختار نظری نقش دارند، از اهمیت ویژه‌ای برخوردار است. محاسبه اثرهای کل نشان می‌دهد که هر سازه نه‌تنها از طریق مسیرهای مستقیم، بلکه از طریق سازه‌های میانجی نیز چه میزان بر سازه وابسته اثر می‌گذارد. جدول ۱۰ نتایج مربوط به این برآوردها را گزارش می‌کند و تصویری جامع از نحوه انتقال اثرها در مدل پژوهش ارائه می‌دهد.

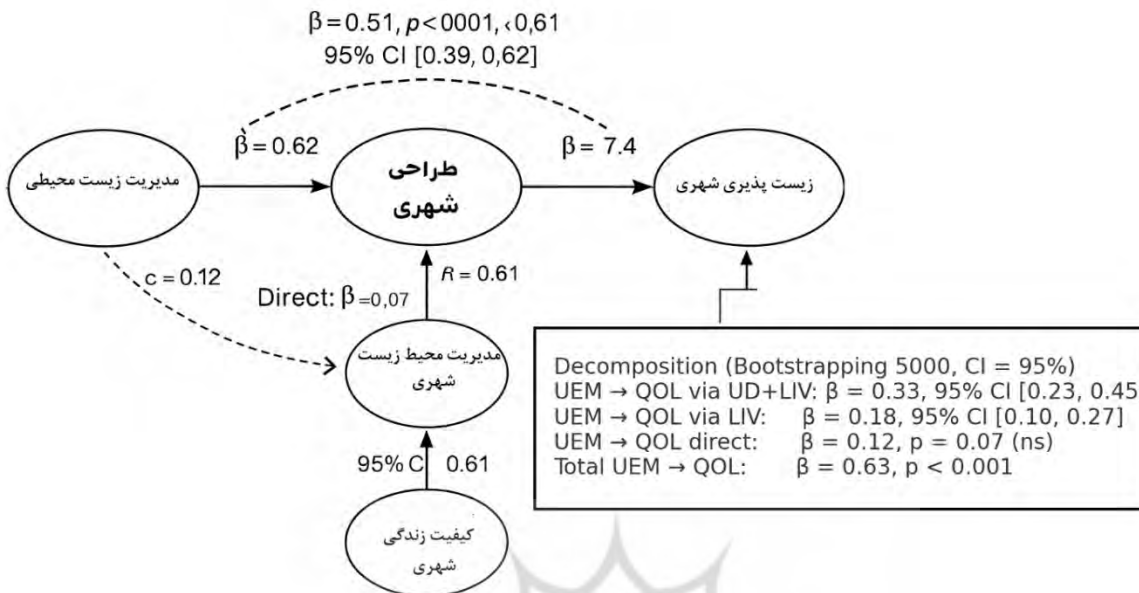
جدول ۱۰. اثرهای مستقیم و غیرمستقیم و اثر کل با بوت‌استرپ پنج هزار (منبع: یافته‌های تحقیق، ۱۴۰۴)

نوع اثر	مسیر	مقدار	مقدار احتمال	بازه اطمینان پایین	بازه اطمینان بالا
کل	مدیریت به کیفیت زندگی	۰,۶۳	کمتر از ۰,۰۰۱	۰,۵۰	۰,۷۴
غیرمستقیم سری	مدیریت به طراحی به زیست‌پذیری به کیفیت زندگی	۰,۳۳	کمتر از ۰,۰۰۱	۰,۲۳	۰,۴۵
غیرمستقیم موازی	مدیریت به زیست‌پذیری به کیفیت زندگی	۰,۱۸	کمتر از ۰,۰۰۱	۰,۱۰	۰,۲۷
مستقیم	مدیریت به کیفیت زندگی	۰,۱۲	۰,۰۷	۰,۰۱	۰,۲۵
مستقیم	طراحی شهری به کیفیت زندگی	۰,۱۰	۰,۰۸	۰,۰۰	۰,۲۲

با توجه به جدول ۱۰، اثر کل مدیریت بر کیفیت زندگی شهری ۰/۶۳ و معنادار گزارش شده است. تجزیه اثرها بیان می‌کند سهم غیرمستقیم زنجیره‌ای (سری) از مسیر مدیریت به طراحی شهری و سپس زیست‌پذیری شهری تا کیفیت زندگی شهری ۰/۳۳ و معنادار است و بازه اطمینان پایین ۰/۲۳ و بازه اطمینان بالا ۰/۴۵ ثبت شده است. اثر غیرمستقیم موازی از مدیریت به زیست‌پذیری شهری و سپس کیفیت زندگی شهری ۰/۱۸ و معنادار است و بازه اطمینان پایین ۰/۱۰ و بازه اطمینان بالا ۰/۲۷ گزارش شده است. اثر مستقیم مدیریت بر کیفیت زندگی شهری ۰/۱۲ با مقدار احتمال ۰/۰۷ نامعتبر است. اثر مستقیم طراحی شهری بر کیفیت زندگی شهری ۰/۱۰ با مقدار احتمال ۰/۰۸ نامعتبر است. سازگاری جمع جبری مؤلفه‌های مستقیم و غیرمستقیم با مقدار اثر کل نشان می‌دهد برآورد مسیرها پایدار است. نتیجه آماری صریح آن است که تغییرات کیفیت زندگی شهری عمدتاً به‌واسطه تغییرات زیست‌پذیری شهری توضیح داده می‌شود و طراحی شهری در مسیر نقش زنجیره‌ای (سری) دارد. این الگو با برآورد بوت‌استرپ پنج هزار نمونه تأیید شده و پشتیبان تبیین چندگامی مدل است.

به‌منظور تبیین نحوه انتقال اثر میان سازه‌های اصلی مدل، مسیرهای مستقیم و غیرمستقیم مدیریت محیط‌زیست شهری بر کیفیت زندگی، از طریق زیست‌پذیری، با بهره‌گیری از روش بوت‌استرپ، پنج هزار نمونه استخراج شد. این نمودار نشان می‌دهد که مدیریت محیط‌زیست چگونه از طریق تقویت مؤلفه‌های زیست‌پذیری می‌تواند بر تجربه زیستی و ادراک ساکنان از کیفیت زندگی اثرگذار شود و سهم مسیرهای غیرمستقیم در مقایسه با مسیرهای مستقیم تا چه اندازه معنادار است. شکل ۴ ساختار این روابط را به‌صورت بصری نمایش می‌دهد و چهارچوبی روشن برای درک نقش میانجی‌گری زیست‌پذیری در مدل پژوهش فراهم می‌کند.

در این مدل، طراحی شهری نقش میانجی میان مدیریت محیط‌زیست شهری و زیست‌پذیری را ایفا می‌کند و اثر نهایی بر کیفیت زندگی شهری از مسیر غیرمستقیم منتقل می‌شود. همان‌طور که ضرایب استاندارد نشان می‌دهد، مسیرهای مستقیم مدیریت و طراحی شهری به کیفیت زندگی از نظر آماری معنادار نیستند، درحالی‌که اثرهای غیرمستقیم از مسیر ترکیبی طراحی و زیست‌پذیری معنادار و قوی گزارش شده‌اند  $\beta$  برابر ۰/۳۳، بازه اطمینان ۹۵ درصد [۰/۲۳، ۰/۴۵]. مقدار ضریب تعیین برای کیفیت زندگی شهری برابر ۰/۶۱ است که بیانگر توان زیاد مدل در تبیین تغییرات متغیر وابسته است. این مدل بر اهمیت هم‌افزایی میان سیاست‌های مدیریتی و مداخلات طراحی شهری برای ارتقای زیست‌پذیری و کیفیت زندگی تأکید دارد.



شکل ۵. اثر مستقیم و غیرمستقیم مدیریت محیط‌زیست شهری بر کیفیت زندگی شهری از مسیر زیست‌پذیری با بوت‌استرپ پنج هزار نمونه (منبع: یافته‌های تحقیق، ۱۴۰۴)

## بحث و نتیجه‌گیری

نتایج مدل ساختاری نشان داد که سازه‌های طراحی شهری و زیست‌پذیری نقش مؤثر و معناداری در ارتقای کیفیت زندگی شهری دارند؛ اما مدیریت محیط‌زیست شهری در سهند فاقد اثر مستقیم بر کیفیت زندگی است. این موضوع در حقیقت رد فرضیه اصلی پژوهش و یکی از مهم‌ترین هشدارهای نظری و کاربردی تحقیق است. این عدم معناداری به‌هیچ‌وجه ضعف مدل پژوهش نیست؛ بلکه نشان‌دهنده شکست ساختاری در سیاست‌گذاری شهری سهند است؛ زیرا تصمیمات مدیریتی موجود عمدتاً فنی، ابزاری و زیرساخت‌محور باقی مانده‌اند و نتوانسته‌اند به سطح تجربه فضایی، ادراک شهروندان، کیفیت فضاهای عمومی و رضایت سکونت‌ی ترجمه شوند. در عمل، مدیریت محیط‌زیست شهری در سهند به «سیاست بدون مشاهده‌پذیری» تبدیل شده است؛ سیاستی که اثر آن در زندگی روزمره قابل لمس نیست و شهروندان آن را تجربه نمی‌کنند. این الگو در تحلیل مسیرهای غیرمستقیم کاملاً آشکار است: مسیر مدیریت → طراحی → زیست‌پذیری → کیفیت زندگی قوی‌ترین مسیر مدل و با ضریب ۰/۳۳ معتبر است؛ درحالی‌که اثر مستقیم مدیریت بر کیفیت زندگی کاملاً حذف می‌شود. این وضعیت نشان می‌دهد که تا زمانی که مداخلات مدیریتی از کانال طراحی شهری عبور نکنند، هیچ اثر پایداری بر کیفیت زندگی ایجاد نخواهد شد. این یافته دقیقاً با مطالعات بین‌المللی هم‌خوان است. پژوهش Chen & Yang (2024) در تایوان و Cramer-Greenbaum (2021) در اروپا نیز تأکید کرده‌اند که سیاست‌های محیطی تنها زمانی مؤثرند که در قالب طراحی شهری انسان‌محور، عدالت در دسترسی، شبکه‌های حرکتی ایمن و کیفیت فضاهای عمومی تجربه‌شدنی باشند. در مقابل، سیاست‌های صرفاً زیرساخت‌محور قادر به افزایش رفاه شهروندان نیستند.

در تبیین نتایج این پژوهش، لازم است یافته‌ها به جداول و شکل‌های ارائه‌شده پیوند داده شوند تا روند استدلال و اعتبار نتایج روشن‌تر شود. برای نمونه، ضعف شاخص حمل‌ونقل پایدار و سروصدای نور که در تحلیل توصیفی مشاهده شد، مبنای تفسیر کیفیت پایین تجربه فضایی است (جدول ۳). همچنین نرمال بودن توزیع داده‌ها که پشتوانه اجرای تحلیل عاملی و SEM است، در نتایج آزمون کولموگروف-اسمیرنوف تأیید شده است (جدول ۴). کفایت نمونه و معناداری ماتریس هم‌بستگی نیز که ورود به تحلیل عاملی را معتبر می‌سازد، در شاخص‌های KMO و بارتلت مشخص است (جدول ۵). در بررسی پایایی و روایی ابزار سنجش، برتری شاخص‌های آب و فاضلاب، حکمرانی و خوانایی فضایی از طریق مقادیر AVE و CR قابل مشاهده است (جدول ۶). تمایز مفهومی سازه‌ها نیز براساس معیار فورنل لارکر تثبیت شده و امکان تفسیر دقیق مسیرهای مدل را فراهم می‌کند (جدول ۷). سرانجام، برای تحلیل مسیرهای علی و تفسیر چرایی فقدان اثر مستقیم مدیریت محیط‌زیست شهری بر کیفیت زندگی، باید به ضرایب مسیر نمایش داده‌شده در مدل ساختاری مراجعه شود و نتیجه‌گیری بر مبنای همان روابط ارائه شود (شکل ۵). این ارجاع‌دهی کمک می‌کند خواننده به‌طور شفاف ببیند هر بخش از نتیجه‌گیری دقیقاً بر کدام داده تجربی استوار است و اعتبار تحلیل تقویت شود.

نتایج تحقیق با مطالعه Orlandi et al. (2025) نیز هم‌سوتر است که نشان می‌دهد «طراحی شهری پایدار» تنها زمانی به ارتقای زیست‌پذیری



منجر می‌شود که هم بُعد عملکردی و هم بُعد ادراکی فضا را بهبود دهد. در سهند اما این پیوستگی وجود ندارد. شاخص‌هایی مانند حمل‌ونقل پایدار و سروصداتور ضعیف‌ترین مقادارها را دارند و نشان می‌دهند که طراحی شهری بیشتر در سطح ظاهر بصری مداخله کرده تا عملکرد، امنیت، حرکت پیاده و عدالت محیطی. در مقایسه با ادبیات پژوهشی ایران نیز نتایج این تحقیق در امتداد مطالعات آذربرزین و حسینی سیاه‌گلی (۱۴۰۳)، بلوچ‌زهی و همکاران (۱۴۰۳) و اکبری و همکاران (۱۴۰۳) قرار می‌گیرد که همگی نشان داده‌اند فضای سبز، حمل‌ونقل پایدار، کفایت خدمات محله‌ای و ایمنی ادراک‌شده نقش اصلی در ارتقای زیست‌پذیری و کیفیت زندگی دارند. این شباهت نشان می‌دهد که مسئله سهند، مسئله‌ای محلی یا صرفاً مدیریتی نیست، بلکه ریشه در یک الگوی ملی ناکارآمد دارد: سیاست‌های محیطی و خدمات شهری در ایران معمولاً به‌صورت پروژه‌های سخت‌افزاری اجرا می‌شوند، بدون آنکه به‌صورت طراحی محور و مبتنی بر تجربه زیسته شهروندان باشند.

از این منظر، رد اثر مستقیم مدیریت محیط‌زیست بر کیفیت زندگی نه‌تنها باید به‌عنوان یافته‌ای آماری گزارش شود، بلکه نشانه‌ای انتقادی از ضعف پیوند میان مدیریت، طراحی و زیست‌پذیری در شهر سهند است. این نتیجه نشان می‌دهد که مدیریت محیط‌زیست شهری در سهند به‌صورت بخشی و تکنیکی عمل می‌کند و فاقد ترجمان فضایی، ادراکی و اجتماعی است. بنابراین طراحی شهری در این مدل از یک نقش صرفاً کالبدی فراتر رفته و به حلقه اتصال میان سیاست‌های مدیریتی و تجربه زیسته شهروندان تبدیل شده است. کیفیت زندگی در سهند تنها زمانی ارتقا می‌یابد که مدیریت محیط‌زیست به بهبود طراحی فضاهای عمومی، شبکه‌های حرکتی، عدالت در دسترسی و گسترش فضای سبز پیوند بخورد. درنهایت، تحلیل انتقادی پژوهش نشان می‌دهد که کیفیت زندگی شهری در سهند نه از مسیر مداخلات زیرساختی منفرد، بلکه از هم‌افزایی میان مدیریت محیط‌زیست، طراحی شهری و زیست‌پذیری ارتقا می‌یابد. این یافته‌ها به‌روشنی بیان می‌کنند که سیاست‌های محیطی زمانی موفق خواهند بود که از «زبان طراحی» مشاهده و تجربه شوند. برنامه‌ریزی آینده سهند باید مبتنی بر «طراحی فضا محور پاسخ‌گو به محیط» و «مدیریت داده‌محور مشارکتی» بازتعریف شود تا شکاف میان نظام مدیریتی و کیفیت زندگی شهروندان کاهش یابد.

## بیانیه‌ها

### تعارض منافع

نویسندگان اعلام می‌کنند که هیچ تضاد منافی مرتبط با این پژوهش وجود ندارد.

### مشارکت مالی

این پژوهش از هیچ منبع مالی اعطایی سازمان‌های دولتی یا خصوصی برای پیشبرد تحقیق استفاده نکرده است.

### رضایت آگاهانه

تمام شرکت‌کنندگان در این پژوهش، رضایت آگاهانه خود را به‌صورت کتبی اعلام کرده‌اند.

### مشارکت نویسندگان

ایده پردازی و طراحی مطالعه: مهدی پوراکبر و رسول درسرخوان، گردآوری داده‌ها: مهدی پوراکبر، تجزیه و تحلیل داده‌ها: مهدی پوراکبر و رسول درسرخوان، اکبر عبدالله‌زاده طرف، نگارش نسخه اولیه: مهدی پوراکبر و رسول درسرخوان، بازبینی و اصلاح مقاله: مهدی پوراکبر، تأیید نهایی: تمام نویسندگان، نسخه نهایی مقاله را تأیید کرده‌اند.

### تشکر و قدردانی

نویسندگان از همه کسانی که به‌نحوی در پژوهش همکاری داشته‌اند، کمال تشکر را دارند.

## پی‌نوشت

1. Luo & Han
2. Harani et al
3. Zhalehdoost & Taleai
4. Orlandi et al

## منابع

- آذربرزین، نیلوفر؛ حسینی سیاه‌گلی، مهناز (۱۴۰۳). مدل‌سازی شاخص‌های زیست‌پذیری شهری با تأکید بر حمل‌ونقل پایدار شهری: مطالعه موردی شهر اهواز. پژوهش‌های جغرافیایی برنامه‌ریزی شهری؛ ۱۲(۲): ۲۵-۴۳.
- آسیابانی‌پور، الهام؛ پناهی، علی؛ احمدزاده، حسن، (۱۳۹۹). «تأثیر فاکتورهای زیست‌پذیری شهری بر وضع موجود»، با استفاده از مدل‌سازی معادلات ساختاری رویکرد (PLS) مطالعه مناطق دهگانه کلانشهر تبریز. جغرافیا و برنامه‌ریزی؛ ۲۴(۷۳): ۲۳-۴۶.
- اکبری مجید، بوستان احمدی، وحید و طالبی انبوهی و مرضیه و زرغام‌فرد مسلم (۱۴۰۳)، «تحلیل عوامل مؤثر بر زیست‌پذیری سکونتگاه‌های غیررسمی (نمونه موردی: محله حکیم نظامی ارومیه). مهندسی جغرافیایی سرزمین، ۸(۲): ۳۳-۴۸.
- بلوچ‌زهی، لیلا؛ امین، محمد، ایزدی، حسن، تحلیل ساختاری عوامل و پیشران‌های مؤثر بر زیست‌پذیری شهر مرزی سراوان با استفاده از روش تحلیل اثرات



- متقابل. جغرافیا و آمایش شهری منطقه‌ای؛ ۱۴۰۳ (پیاپی ۵۰): ۹۷-۱۲۲.
- حیدری سورشجانی، رسول و وفایی ابوذر و دولتیاران کامران (۱۴۰۱). سنجش و ارزیابی پروژه‌های بازآفرینی فرهنگی اجتماعی فضاهای عمومی با رویکرد ارتقای کیفیت محیطی و هویت محله‌ای، مطالعه موردی: پیاده‌گذرهای تاریخی شهر کاشان. پژوهش‌های جغرافیای برنامه‌ریزی شهری، ۱۰(۳)، ۱۴۳-۱۷۰.
  - دالوند، هنگامه؛ حیدری، رسول؛ (۱۴۰۰)، «مدل‌سازی ساختاری تأثیر زیست‌پذیری بر امنیت کیفیت زندگی مبتنی بر نظرسنجی عمومی: مطالعه موردی شهر دورود». شهر پایدار؛ ۱۴(۱): ۷۱-۸۶.
  - شرقی زهرا، بصیری مصطفی، فرامرز مهسا، (۱۴۰۳)، «تحلیل دسترسی به خدمات عمومی شهری در شهر جدید سهند»، با استفاده از روش تحلیل شبکه. فصلنامه چشم‌انداز شهرهای آینده. ۵ (۲): ۱-۱۴.
  - علوی، پری، ثبوتی، هومن، داورنیا، فاطمه، قلیزاده، فائزه، اسفندیاری، اکرم. (۱۴۰۲)، معیارهای مؤثر در ارتقای کیفیت محیطی بافت‌های ناکارآمد شهری براساس ترجیحات ساکنین (مورد مطالعه: محله بیسیم شهر زنجان). پژوهش‌های جغرافیای انسانی، ۵۵(۳): ۹۷-۱۱۴.
  - محمودزاده، حسن، صمدی، محمد و پایدار، مجید. (۱۴۰۲). کاربرد شبکه عصبی مصنوعی و رگرسیون خطی در ارزیابی آلودگی هوای کلانشهر تبریز. جغرافیا و برنامه‌ریزی، ۲۷(۸۶)، ۱۶۷-۱۸۴.
  - مهدی، علی. (۱۴۰۴). تبیین آثار شاخص‌های کالبدی، بصری و محیطی بر سلامت شهری در شهر قم. فصلنامه مطالعات شهری، ۱۴(۵۴)، ۷۷-۹۲.
  - فرج الهی، عاطفه و پورمحمدی، محمدرضا و حیدری چپانه رحیم و مختاری داوود (۱۴۰۱). تحلیل تطبیقی زیست‌پذیری شهری با تأکید بر شاخص‌های کالبدی مناطق ده‌گانه کلان‌شهر تبریز. جغرافیا و برنامه‌ریزی، ۲۶(۸۱)، ۱۸۹-۱۷۳.
- Akbari, M., Boostan-Ahmadi, V., Talebi-Anbouhi, M. & Zorgham-Fard, M. (1403). Analysis of factors affecting the livability of informal settlements: A case study of Hakim Nezami neighborhood, Urmia. *Land Geo-Engineering*, 8(2), 33-48.
  - Alavi, P., Saboooti, H., Davarnia, F., Gholizadeh, F., & Esfandiari, A. (1402). Criteria influencing the improvement of environmental quality in inefficient urban fabrics based on residents' preferences: Case study of Beysim neighborhood, Zanjan. *Human Geography Research*, 55(3), 97-114.
  - Alnsour, M.A., & Alnsour, E. (2025). Application of Structural Equation Modelling (SEM) and Fuzzy Analytic Hierarchy Process (FAHP) Based Approach Toward a Hybrid Urban Sustainability Assessment System (USAS) of Jordan. *Sustainable Cities and Society*; 65, e45186 <https://doi.org/10.1016/j.scs.2025.106590>.
  - Geary, R. S., Thompson, D., Mizen, A., Akbari, A., Garrett, J. K., Rowney, F. M., Watkins, A., Lyons, R. A., Stratton, G., Lovell, R., Nieuwenhuijsen, M., Parker, S. C., Song, J., Tsimpida, D., White, J., White, M. P., Williams, S., Wheeler, B. W., Fry, R. & Rodgers, S. E. (2023). Ambient greenness, access to local green spaces, and subsequent mental health: A-10 year longitudinal dynamic panel study of 2.3 million adults in Wales. *The Lancet Planetary Health* 7(7), e809-e818. [https://doi.org/10.1016/S2542-5196\(23\)00212](https://doi.org/10.1016/S2542-5196(23)00212)
  - Asiabani-Pour, E., Panahi, A., & Ahmadzadeh, H. (1399). The impact of urban livability factors on the current situation using structural equation modeling (PLS approach): A study of the ten districts of Tabriz metropolis. *Geography and Planning*, 24(73), 23-46.
  - Azarbarzin, N., & Hosseini Siah-Goli, M. (1403). Modeling urban livability indicators with an emphasis on sustainable urban transportation: The case study of Ahvaz. *Urban Planning Geography Research*, 12(2), 25-43.
  - Baluch-Zehi, L., Amin, M., & Izadi, H. (1403). Structural analysis of factors and drivers affecting the livability of the border city of Saravan using cross-impact analysis. *Urban-Regional Geography and Spatial Planning*, (50), 97-122.
  - Barboza, E. P., Cirach, M., Khomenko, S., Iungman, T., Mueller, N., Barrera-Gómez, J., Rojas-Rueda, D., Kondo, M., & Nieuwenhuijsen, M. (2021). Green space and mortality in European cities: A health impact assessment study. *The Lancet Planetary Health*, 5(10), e718-e730. [https://doi.org/10.1016/S2542-5196\(21\)00229-1](https://doi.org/10.1016/S2542-5196(21)00229-1)
  - Chang, S., & Smith, M. K. (2023). Residents' Quality of Life in Smart Cities: A Systematic Literature Review. *Land*, 12(4), 876. <https://doi.org/10.3390/land12040876>.
  - Chen, Y.-T., & Yang, A. Y.-Y. (2024). Evaluating the Influence of Sustainable Urban Disaster Prevention Planning Satisfaction on Residents' Living Willingness: A Structural Equation Modeling Approach in Kaohsiung City. *Sustainability*, 16(13), 5624. <https://doi.org/10.3390/su16135624>.
  - Cramer-Greenbaum, S. (2020). Who can afford a 'livable' place? The part of living global rankings leave out. *International Journal of Urban Sustainable Development*, 13(1), 70-82. <https://doi.org/10.1080/19463138.2020.1812076>.
  - Dalvand, H., & Heydari, R. (1400). Structural modeling of the effect of livability on security and quality of life based on public survey: Case study of Doroud city. *Sustainable City*, 4(1), 71-86.
  - Deng, M., Zhu, S., He, B., & Zhang, H. (2024), Evaluation of urban ecological livability and obstacle factor diagnosis from a synergistic perspective: A case study of Zhangjiajie City, China. *PLOS ONE*, 19(11), e0313267. <https://doi.org/10.1371/journal.pone.0313267>
  - Farajollahi, A., Pourmohammadi, M.-R., Heydari-Chiane, R., & Mokhtari, D. (1401). Comparative analysis of urban livability with emphasis on physical indicators in the ten districts of Tabriz metropolis. *Geography and Planning*, 26(81), 173-189.



- Fouladi, A., Sherafati Moghaddam, E., & Gholami, Y. (2025). Assessment of livability in urban fabric: A comparative analysis. *International Journal of Human Capital in Urban Management*, 10(2), 301–316. <https://doi.org/10.22034/IJHCUM.2025.02.07>.
- Harani, A. R., Riskiyanto, R., Kusuma, A. M., & Harsritanto, B. I. R. (2025). The livability of urban environment based on the spatial arrangement of local practice in limited space. *City, Territory and Architecture*, 12(1), Article 40. <https://doi.org/10.1186/s40410-025-00290-8>.
- Heydari Soureshjani, R., Vafaei, A., & Dolatiyaran, K. (1401). Assessment and evaluation of socio-cultural regeneration projects of public spaces to improve environmental quality and neighborhood identity: Case study of historical pedestrian streets of Kashan. *Urban Planning Geography Research*, 10(3), 143–170.
- Jenewein, O., Hummel, M. A., Bezboruah, K., & Liu, Y. (2025). Towards collaborative smart cities: A participatory framework to co-develop an environmental monitoring dashboard along the Texas Coast. *International Journal of Urban Sciences*, 29(sup1), 92–114. <https://doi.org/10.1080/12265934.2024.2438201>
- Jodder, P. K., Hossain, M. Z., & Thill, J.-C. (2025). Urban Livability in a Rapidly Urbanizing Mid-Size City: Lessons for Planning in the Global South. *Sustainability*, 17(4), 1504. <https://doi.org/10.3390/su17041504>.
- Zhai, Y., Ma, P., & Li, M. (2025). Sustainable Development and Environmental Governance for Urban Vending Zones: A Case Study in the Waliu Community, China. *Sustainability*, 17(9), 4002. <https://doi.org/10.3390/su17094002>.
- Kumar, P., Brander, L., Kumar, M., & Cuijpers, P. (2023). Planetary Health and Mental Health Nexus: Benefit of Environmental Management. *Annals of global health*, 89(1), 49. <https://doi.org/10.5334/aogh.4079>.
- Labriet, M., Caldés, N., & Izquierdo, L. (2009). A review on urban air quality, global climate change and CDM issues in the transportation sector. *International Journal of Global Warming*, 1(1/2/3). <https://doi.org/10.1504/IJGW.2009.027086>.
- Luo, J., & Han, Z. (2025). Have a place to live? - study on the influence of the living environment on the subjective well-being of older adults. *BMC psychology*, 13(1), 694. <https://doi.org/10.1186/s40359-025-03007-1>.
- Mahmoudzadeh H, Abedini A, Aram F, Mosavi A. (2024). Evaluating urban environmental quality using multi-criteria decision making (CRITIC). *Heliyon*.;10(3): e24921. <https://doi.org/10.1016/j.heliyon.2024.e24921>.
- Mouratidis K. (2021), Urban planning and quality of life: A review of pathways linking the built environment to subjective well-being. *Cities*.;115:103229. <https://doi.org/10.1016/j.cities.2021.103229>.
- Mahdi, A. (1404). Explaining the effects of physical, visual, and environmental indicators on urban health in Qom city. *Urban Studies Quarterly*, 14(54), 77–92.
- Mahmoudzadeh, H., Samadi, M., & Paydar, M. (1402). Application of artificial neural network and linear regression in evaluating air pollution in the metropolis of Tabriz. *Geography and Planning*, 27(86), 167–184.
- Münzel, T., Molitor, M., Kuntic, M., Hahad, O., Röösli, M., Engelmann, N., Basner, M., Daiber, A., & Sørensen, M. (2024). Transportation Noise Pollution and Cardiovascular Health. *Circulation research*, 134(9), 1113–1135. <https://doi.org/10.1161/CIRCRESAHA.123.323584>.
- Murawska, A., Sieg, P., & Stereńczak, S. (2025). Environmental Safety and Self-Perceived Quality of Life and Health: The Example of the European Union. *Sustainability*, 17(18), 8412. <https://doi.org/10.3390/su17188412>.
- Nicolás-Martínez, C., Pérez-Cárceles, M.C., Riquelme-Perea, P.J. (2024), Are Cities Decisive for Life Satisfaction? A Structural Equation Model for the European Population. *Soc Indic Res* 174, 1025–1051. <https://doi.org/10.1007/s11205-024-03423-7>
- Orlandi, S., Longo, D., & Turillazzi, B. (2025). Integrating Security-by-Design into Sustainable Urban Planning for safer, more accessible, and livable public spaces. *Sustainability*, 17(16), 7186. <https://doi.org/10.3390/su17167186>.
- Peyneshki, I. P., Bègue, I., Abela, L., Eisele, A., Grüter, B. E., Hägler, J., Maragkou, T., Martínez, Y., Saemann, A., Strupler, N., Vélez Char, N., Vicedo-Cabrera, A. M., & Sveikata, L. (2025). Impact of climate change on brain health: An interdisciplinary perspective from early-career clinician-scientists. *Preprints*, 202507.1729.v1. <https://doi.org/10.20944/preprints202507.1729.v1>.
- Öztürk, S., & Genç, Z. P. (2015). The relationship between urban design and urban quality of life: A case study of Kastamonu City–Turkey. *Artvin Çoruh Üniversitesi Orman Fakültesi Dergisi*, 15(2). <https://doi.org/10.17474/acuofd.36085>.
- Schindler, M., & Dionisio, M. R. D. J. (2024). Planning for urban livability: Integrating socio-spatial indicators in city-making. *Journal of Urban Technology*, 31(3). <https://doi.org/10.1080/10630732.2024.2391889>
- Sharghi, Z., Basiri, M., & Faramarzi, M. (1403). Analysis of accessibility to urban public services in the new town of Sahand using network analysis. *Future Cities Outlook Quarterly*, 5(2), 1–14.
- Shen, Y., Xu, X., Ge, Y., Wang, W., Liu, C., Niu, Y., Zhao, Q., Zhao, G., Cai, J., Kan, H., & Zhao, Y. (2025). Environmental noise exposure and cardiovascular diseases in a Shanghai cohort. *Environment international*, 203, 109745. <https://doi.org/10.1016/j.envint.2025.109745>
- Takano, T., Morita, H., Nakamura, S., Hayashi, Y., Togawa, T., Kachi, N., & Kato, H. (2022). Evaluating the quality of life for sustainable urban development (Preprint Version 1). *Research Square*. <https://doi.org/10.21203/rs.3.rs-2348981/v1>.
- Tate, C., Wang, R., Akaraci, S., Burns, C., Garcia, L., Clarke, M., Hunter, R. (2024). The contribution of urban green



- and blue spaces to the United Nation's Sustainable Development Goals: An evidence gap map. *Cities*, 145, 104706. <https://doi.org/10.1016/j.cities.2023.104706>
- Vidal Yañez, D., Barboza, E. P., Cirach, M., Daher, C., Nieuwenhuijsen, M., & Mueller, N. (2023). An urban green space intervention with benefits for mental health: A health impact assessment of the Barcelona "Eixos Verds" Plan. *Environment International*, 174, 107880. <https://doi.org/10.1016/j.envint.2023.107880>.
  - Wesz, J. G. B., Miron, L. I. G., Delsante, I., & Tzortzopoulos, P. (2023). Urban Quality of Life: A Systematic Literature Review. *Urban Science*, 7(2), 56. <https://doi.org/10.3390/urbansci7020056>.
  - World Health Organization Regional Office for Europe. (2018). Environmental noise guidelines for the European region. Copenhagen: World Health Organization. <https://doi.org/10.1564/EURO.NOISE.2018>.
  - Xian, Z., Nakaya, T., Liu, K., Zhao, B., Zhang, J., Zhang, J., Lin, Y., & Zhang, J. (2024). The effects of neighbourhood green spaces on mental health of disadvantaged groups: a systematic review. *Humanities and Social Sciences Communications*, 11(1), <https://doi.org/10.1057/s41599-024-02970-1>.
  - Yu, J., Li, X., Guan, X., & Shen, H. (2024). A remote sensing assessment index for urban ecological livability and its application. *Geo-spatial Information Science*, 27(2), 289–310. <https://doi.org/10.1080/10095020.2022.2072775>.
  - Zhalehdoost, A., & Taleai, M. (2025). Enhancing urban quality of life evaluation using spatial multi-criteria analysis. *Scientific Reports*, 15, 22048. <https://doi.org/10.1038/s41598-025-05468-1>



پژوهشگاه علوم انسانی و مطالعات فرهنگی  
پرتال جامع علوم انسانی





پژوهشگاه علوم انسانی و مطالعات فرهنگی  
پرتال جامع علوم انسانی